

advance
AUTO-WIRE

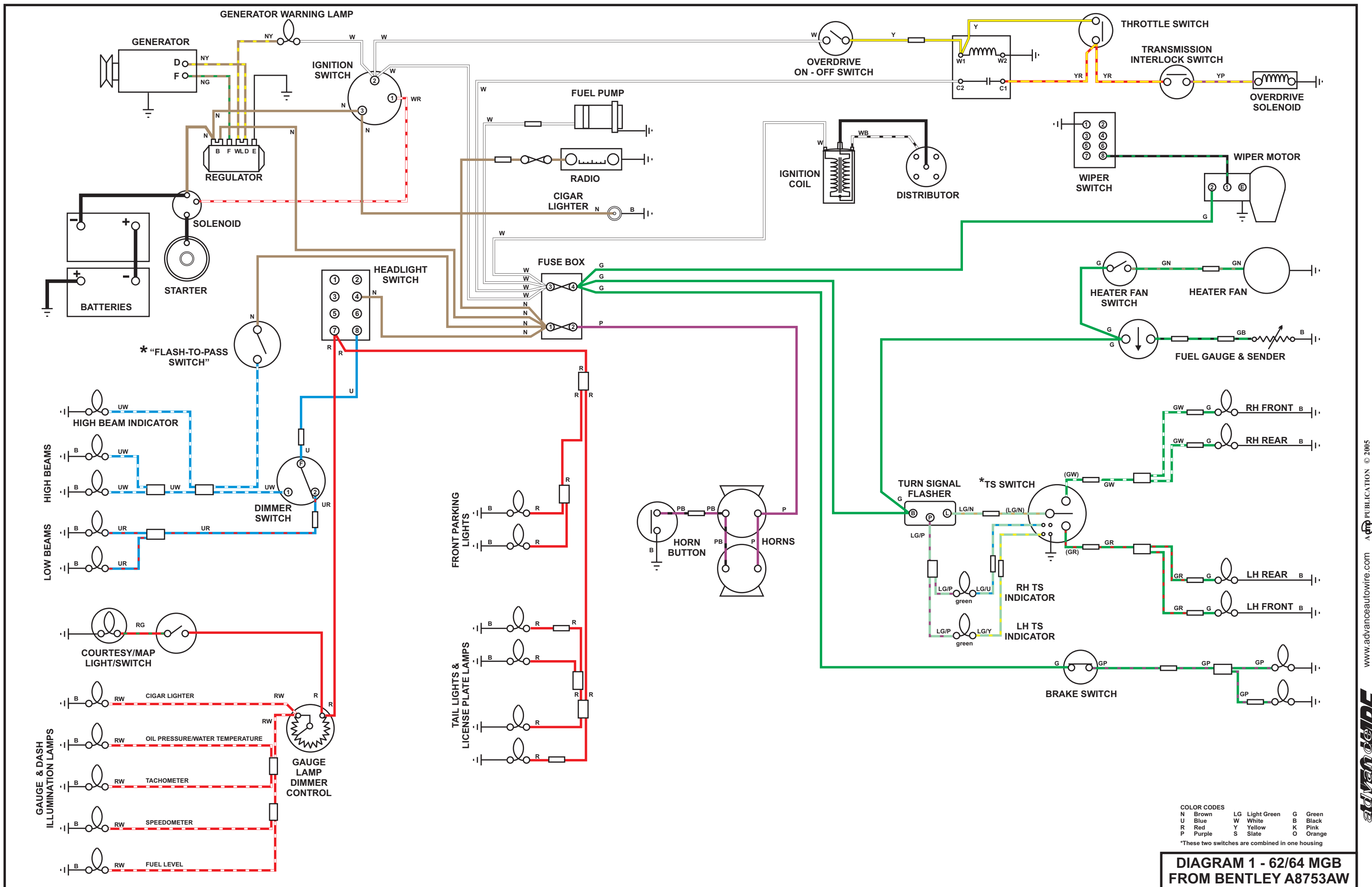
www.advanceautowire.com

MGB, MGC, MGBV8 WIRING DIAGRAMS



A  PUBLICATION
© 2005

May be reproduced for personal, non-commercial use only



COLOR CODES

N	Brown	LG	Light Green	G	Green
U	Blue	W	White	B	Black
R	Red	Y	Yellow	K	Pink
P	Purple	S	Slate	O	Orange

*These two switches are combined in one housing

DIAGRAM 1 - 62/64 MGB FROM BENTLEY A8753AW

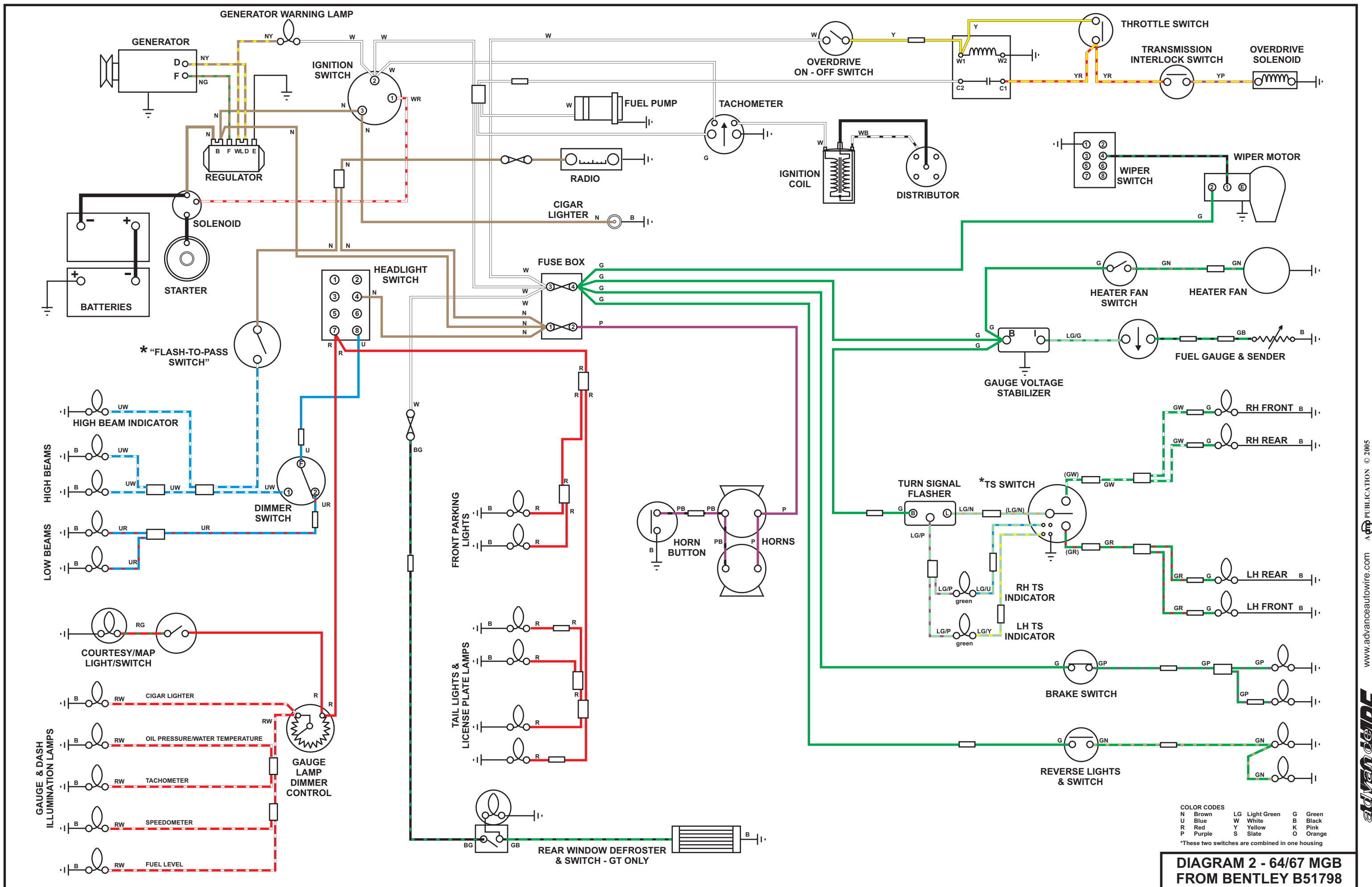
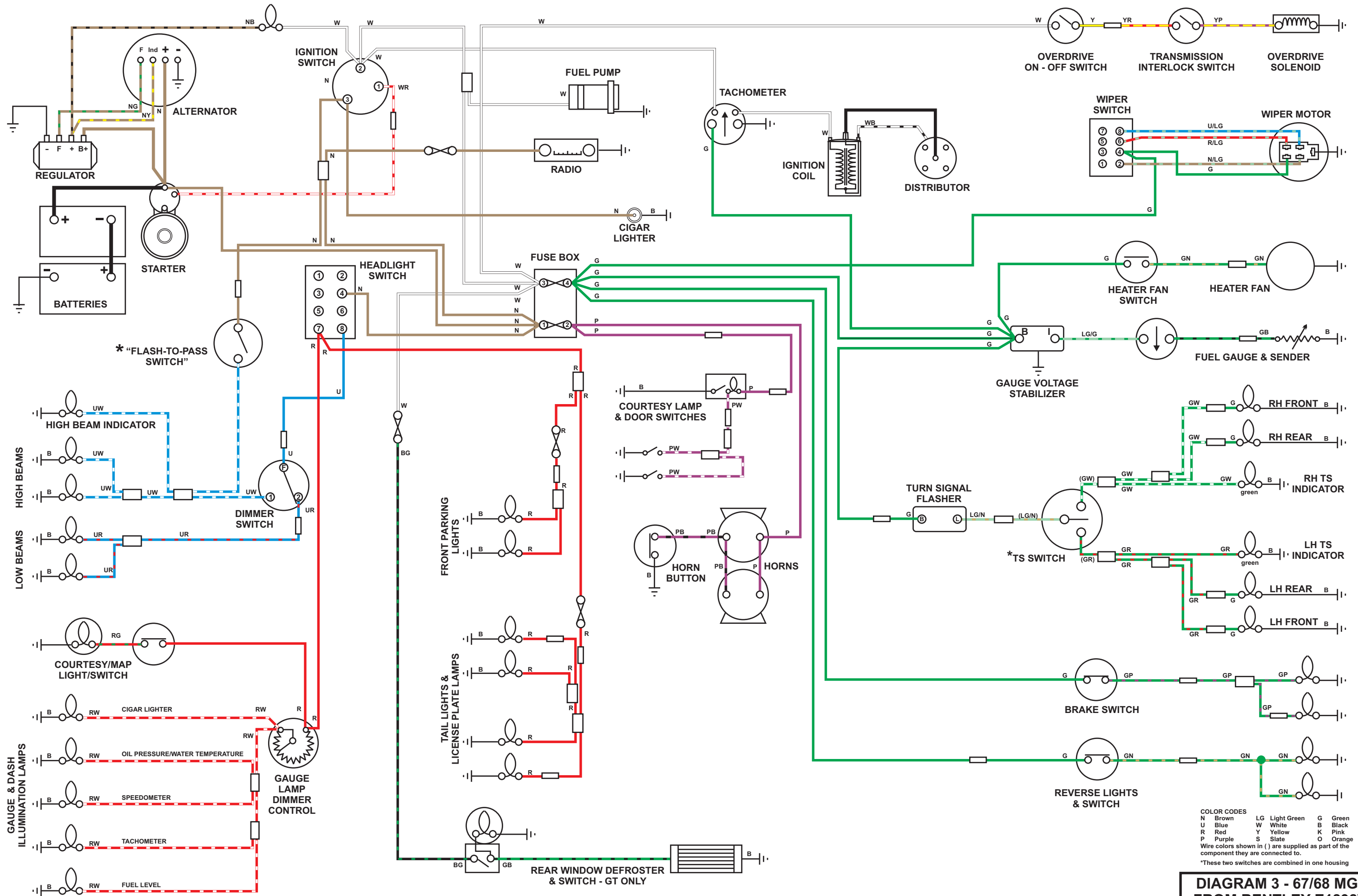
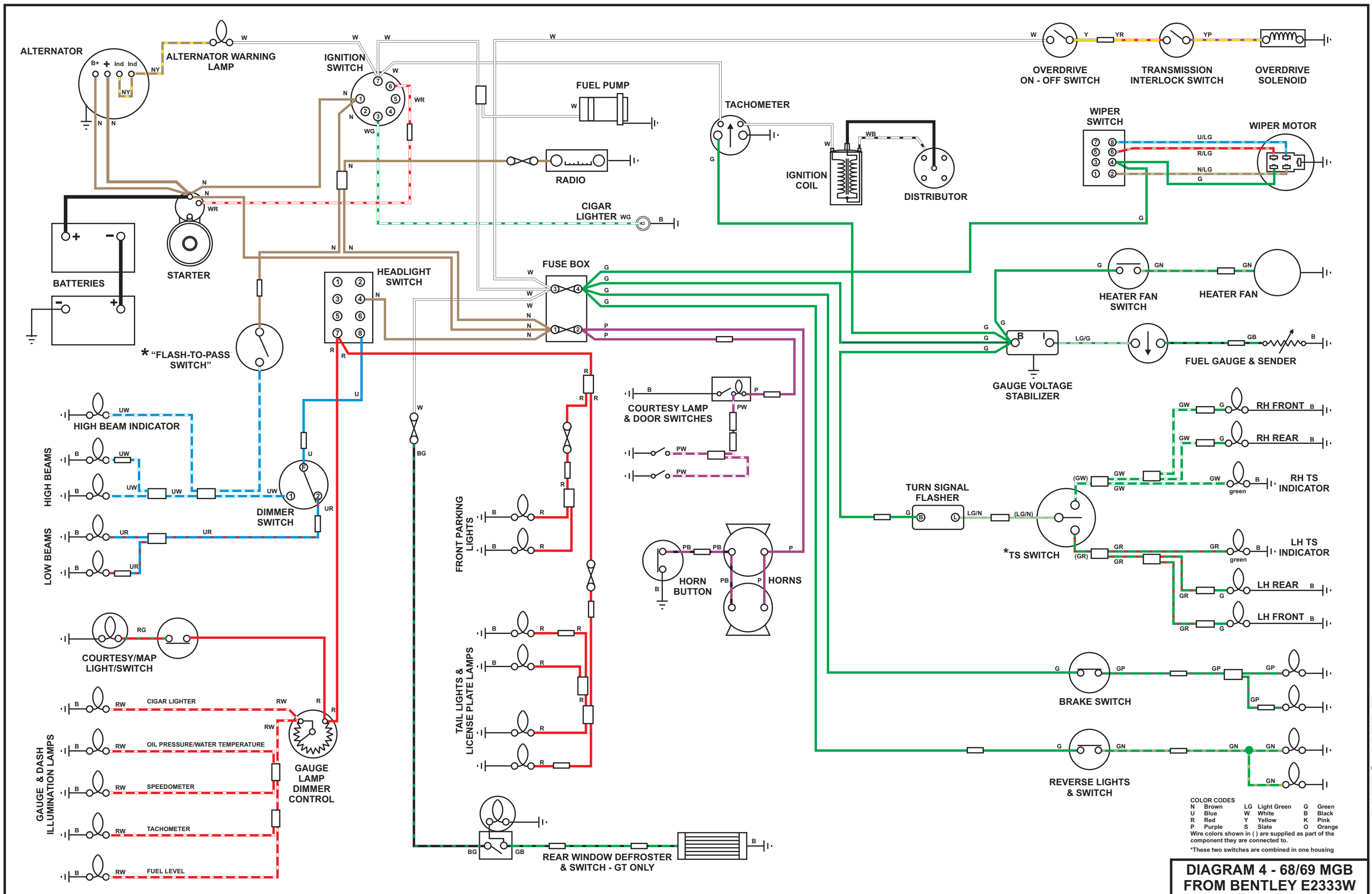


DIAGRAM 2 - 64/67 MGB FROM BENTLEY B51798



COLOR CODES
 N Brown LG Light Green G Green
 U Blue W White B Black
 R Red Y Yellow K Pink
 P Purple S Slate O Orange
 Wire colors shown in () are supplied as part of the component they are connected to.
 *These two switches are combined in one housing

DIAGRAM 3 - 67/68 MGB FROM BENTLEY E1898W

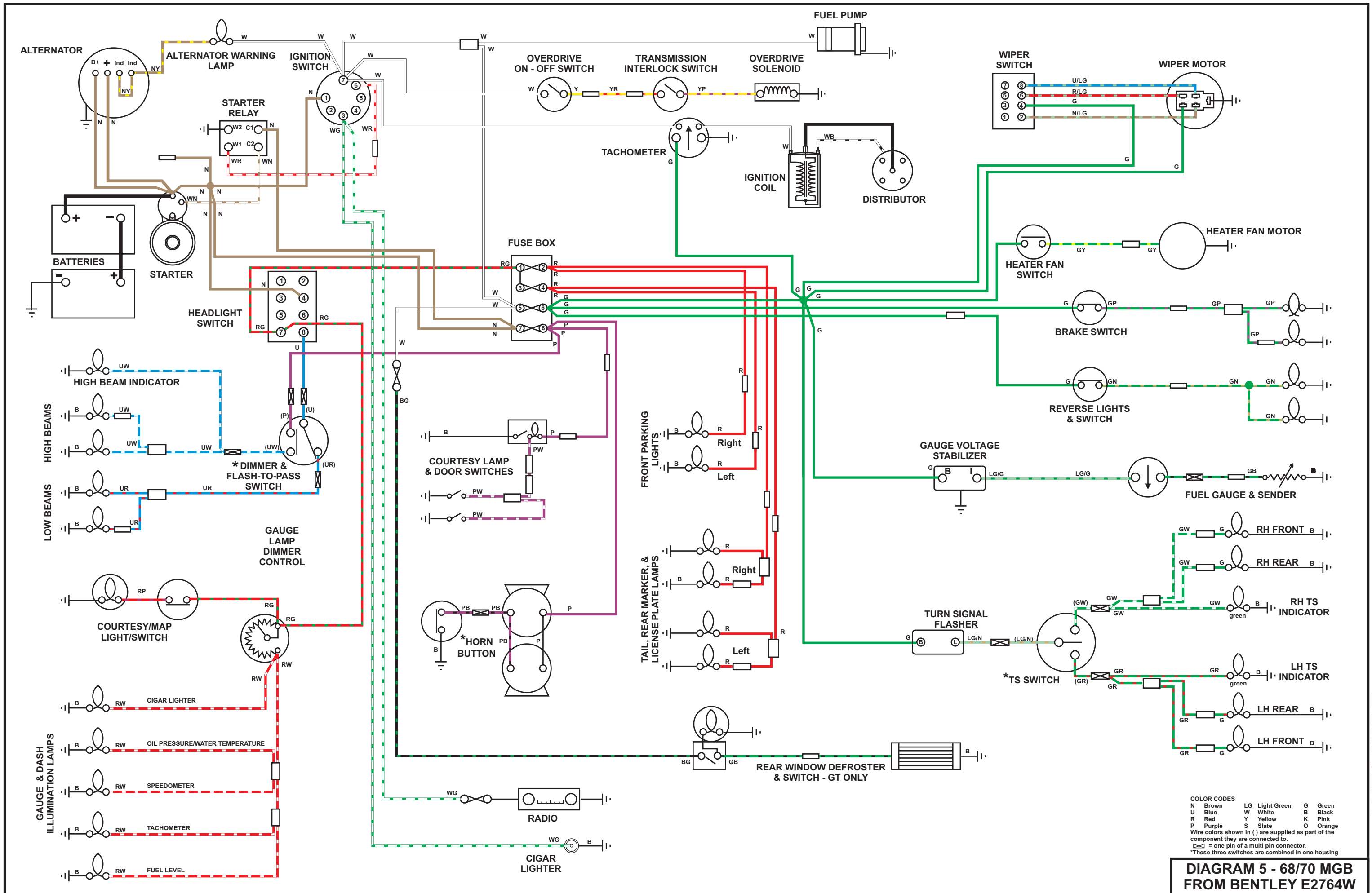


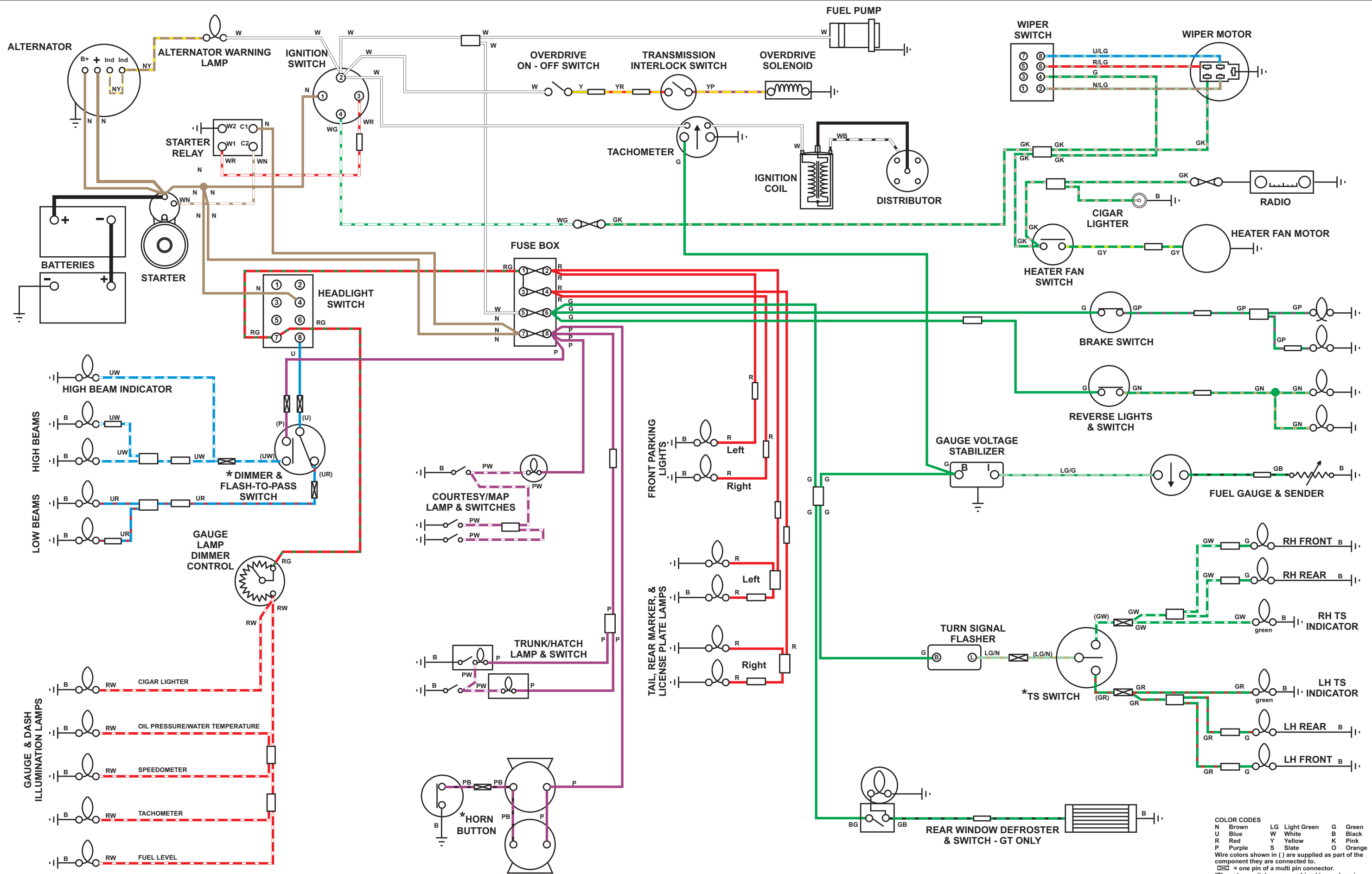
COLOR CODES

N	Brown	LG	Light Green	G	Green
U	Blue	W	White	B	Black
R	Red	Y	Yellow	K	Pink
P	Purple	S	Slate	O	Orange

Wire colors shown in () are supplied as part of the component they are connected to.
 *These two switches are combined in one housing

DIAGRAM 4 - 68/69 MGB FROM BENTLEY E2333W





**DIAGRAM 6 - 70/71 MGB
FROM BENTLEY E3212W**

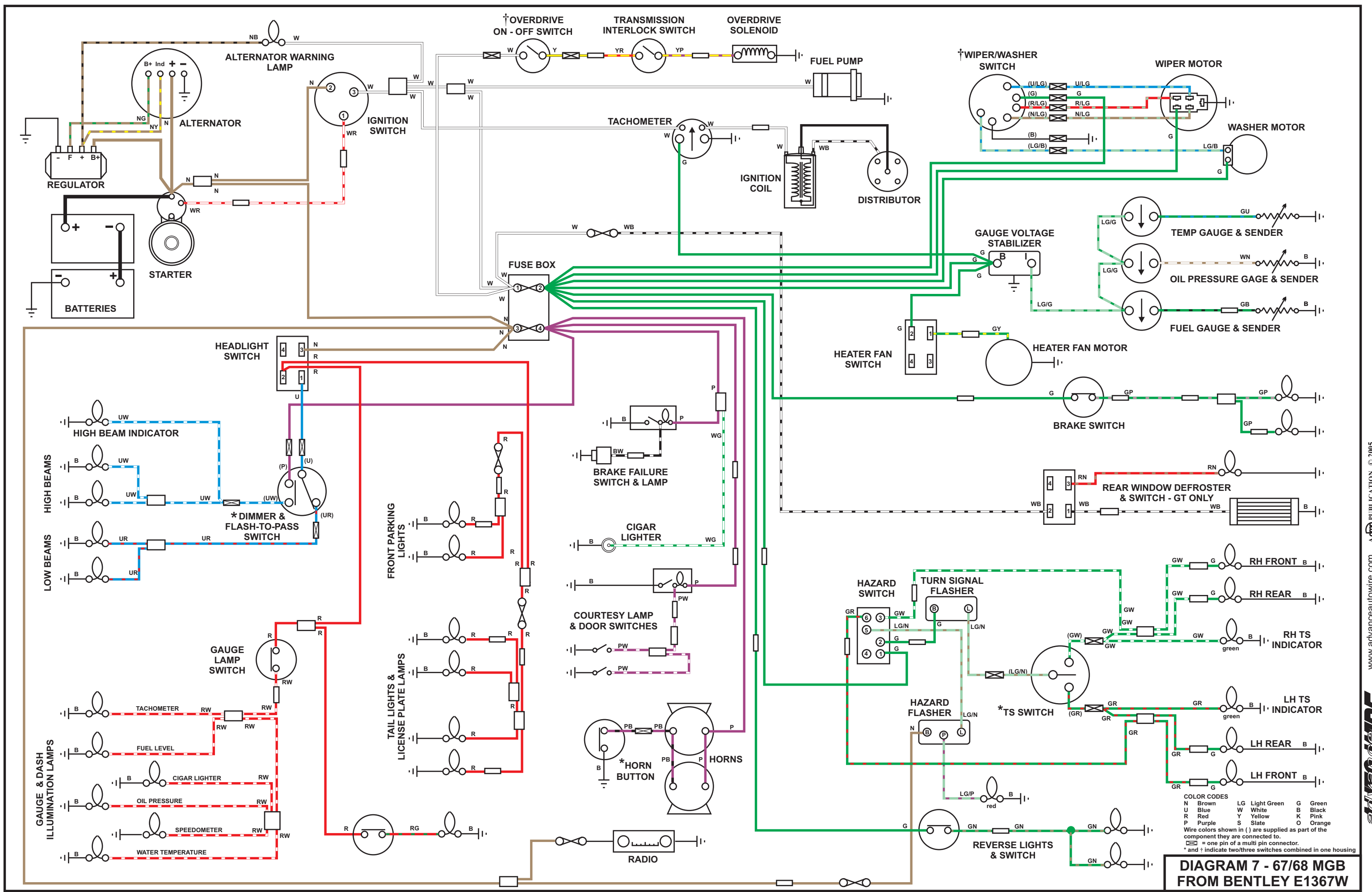


DIAGRAM 7 - 67/68 MGB FROM BENTLEY E1367W

COLOR CODES
 N Brown LG Light Green G Green
 U Blue W White B Black
 R Red Y Yellow K Pink
 P Purple S Slate O Orange
 † = one pin of a multi pin connector.
 ‡ and † indicate two/three switches combined in one housing

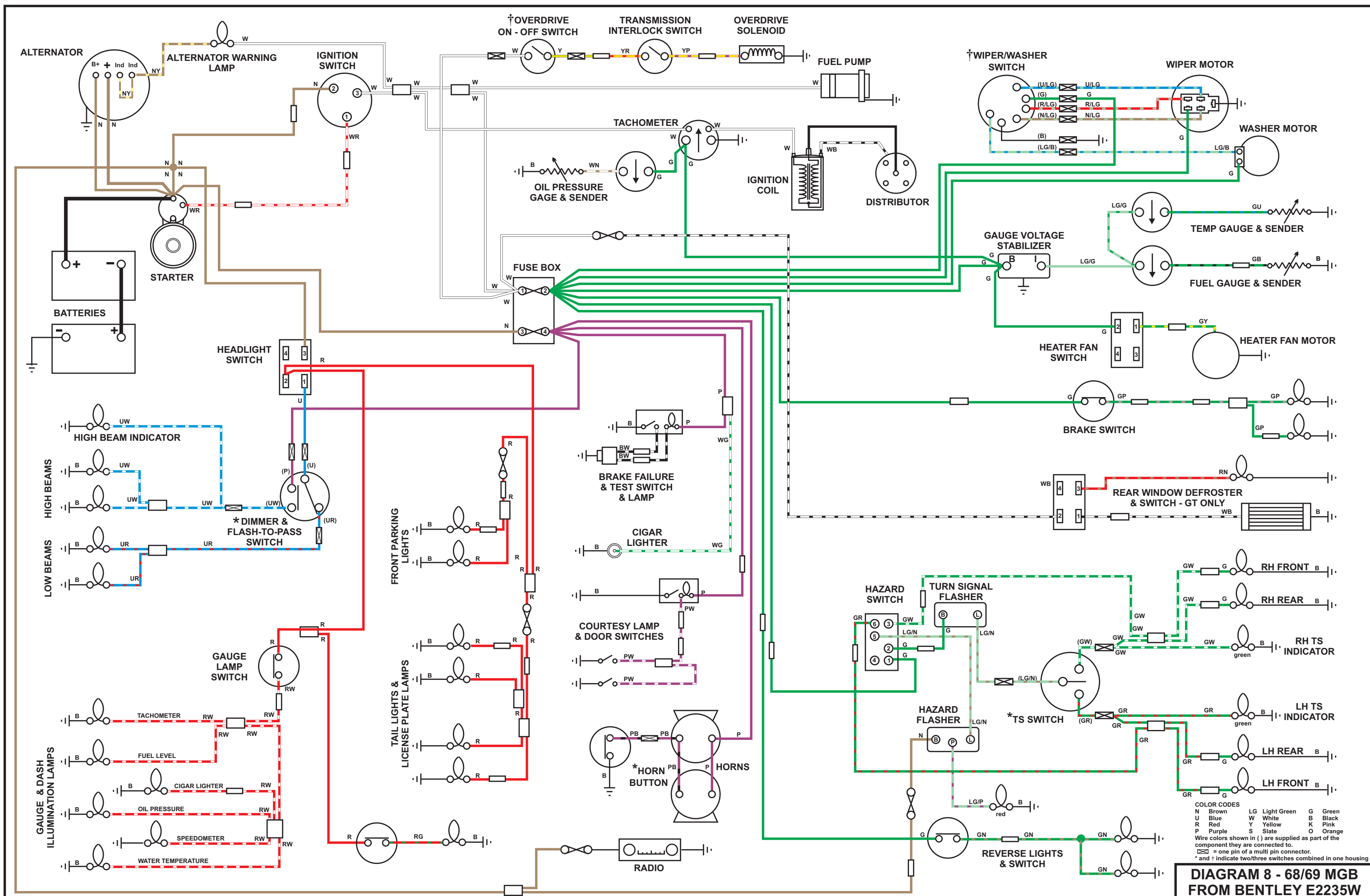


DIAGRAM 8 - 68/69 MGB FROM BENTLEY E2235W

www.advanceautowire.com
 May be reproduced for personal, non-commercial use only

ADVANCE
 AUTOWIRE

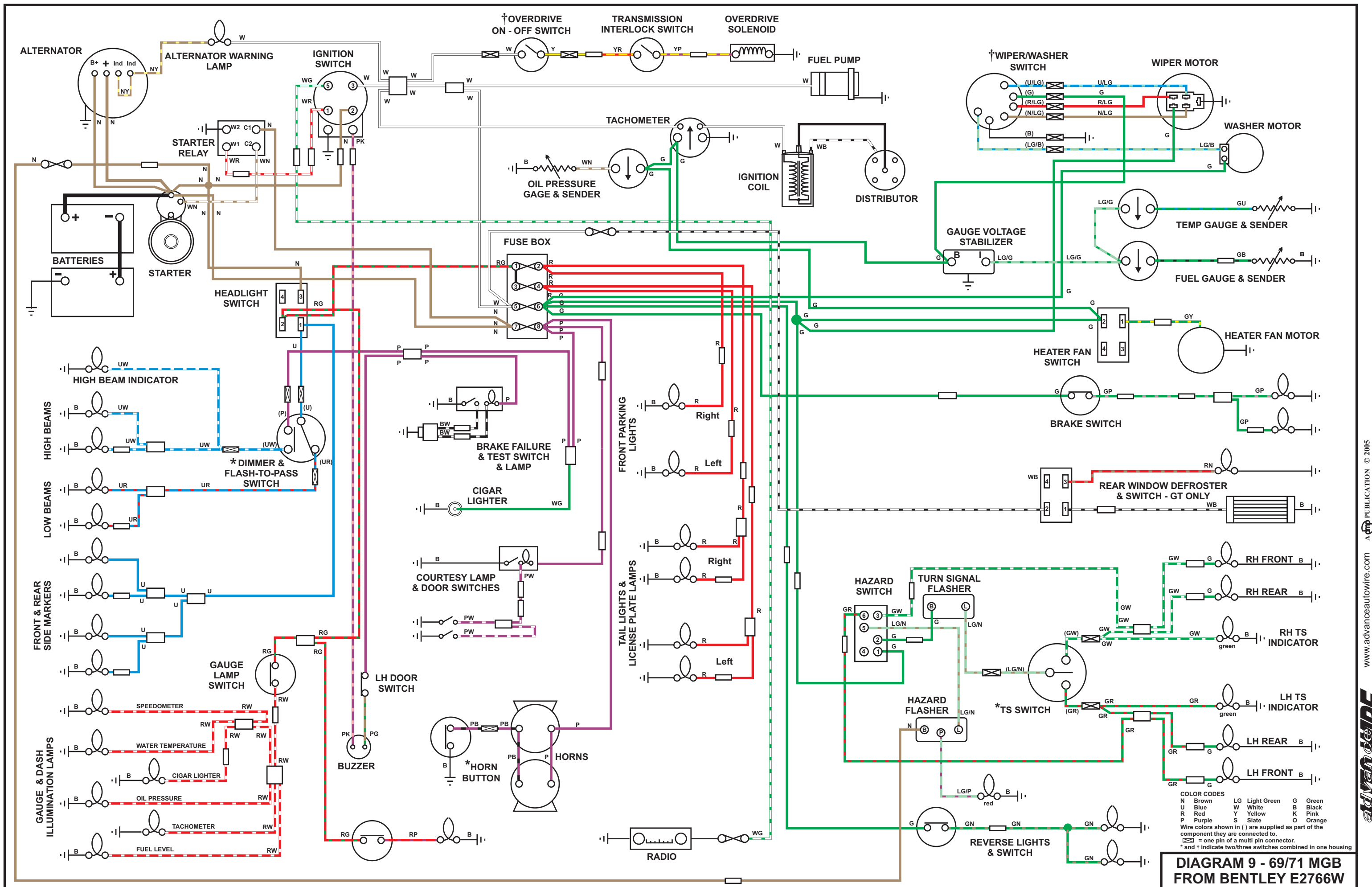


DIAGRAM 9 - 69/71 MGB FROM BENTLEY E2766W

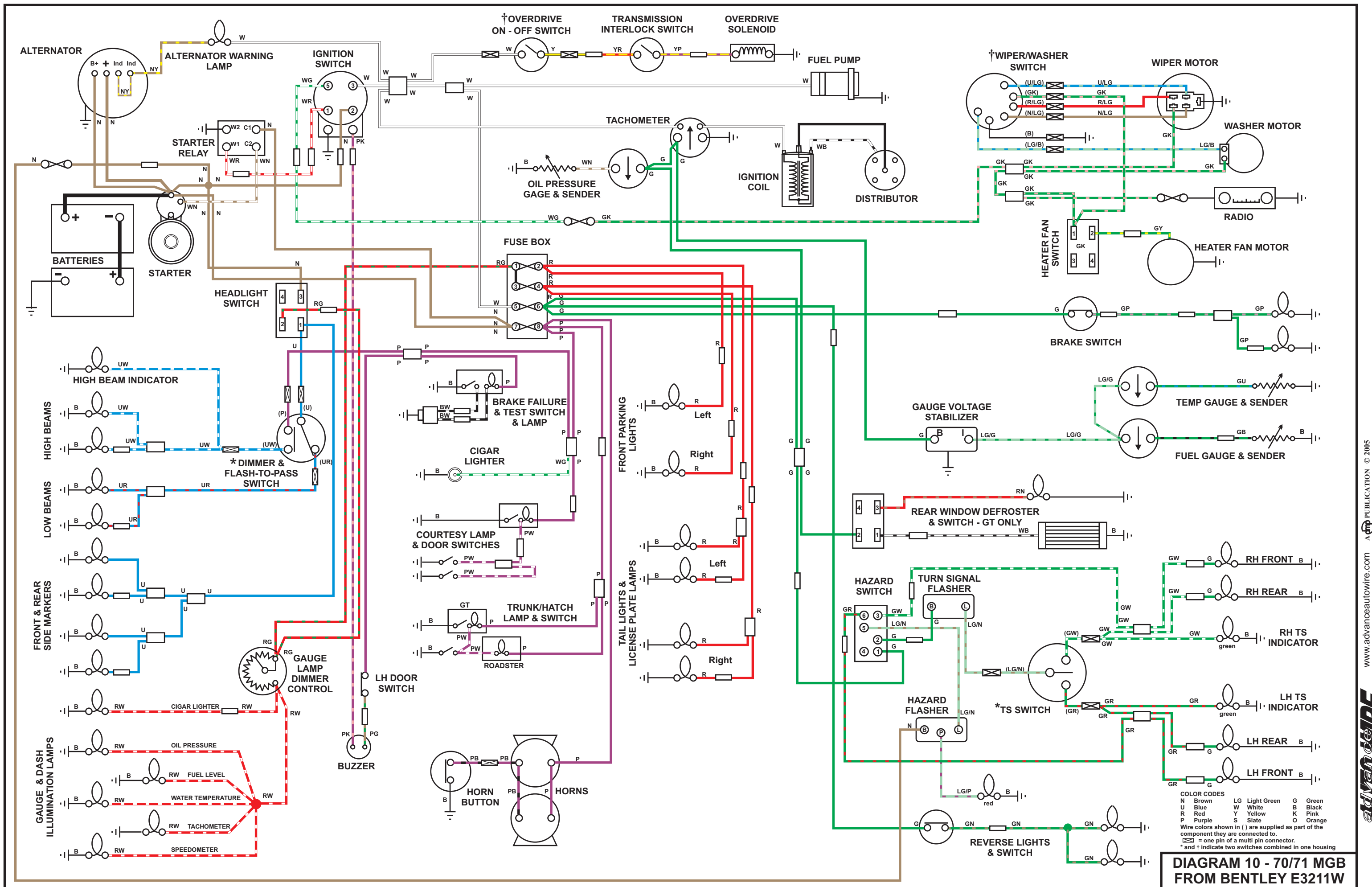


DIAGRAM 10 - 70/71 MGB FROM BENTLEY E3211W

COLOR CODES
 N Brown LG Light Green G Green
 U Blue W White B Black
 R Red Y Yellow K Pink
 P Purple S Slate O Orange

Wire colors shown in () are supplied as part of the component they are connected to.
 ⊞ = one pin of a multi pin connector.
 * and † indicate two switches combined in one housing

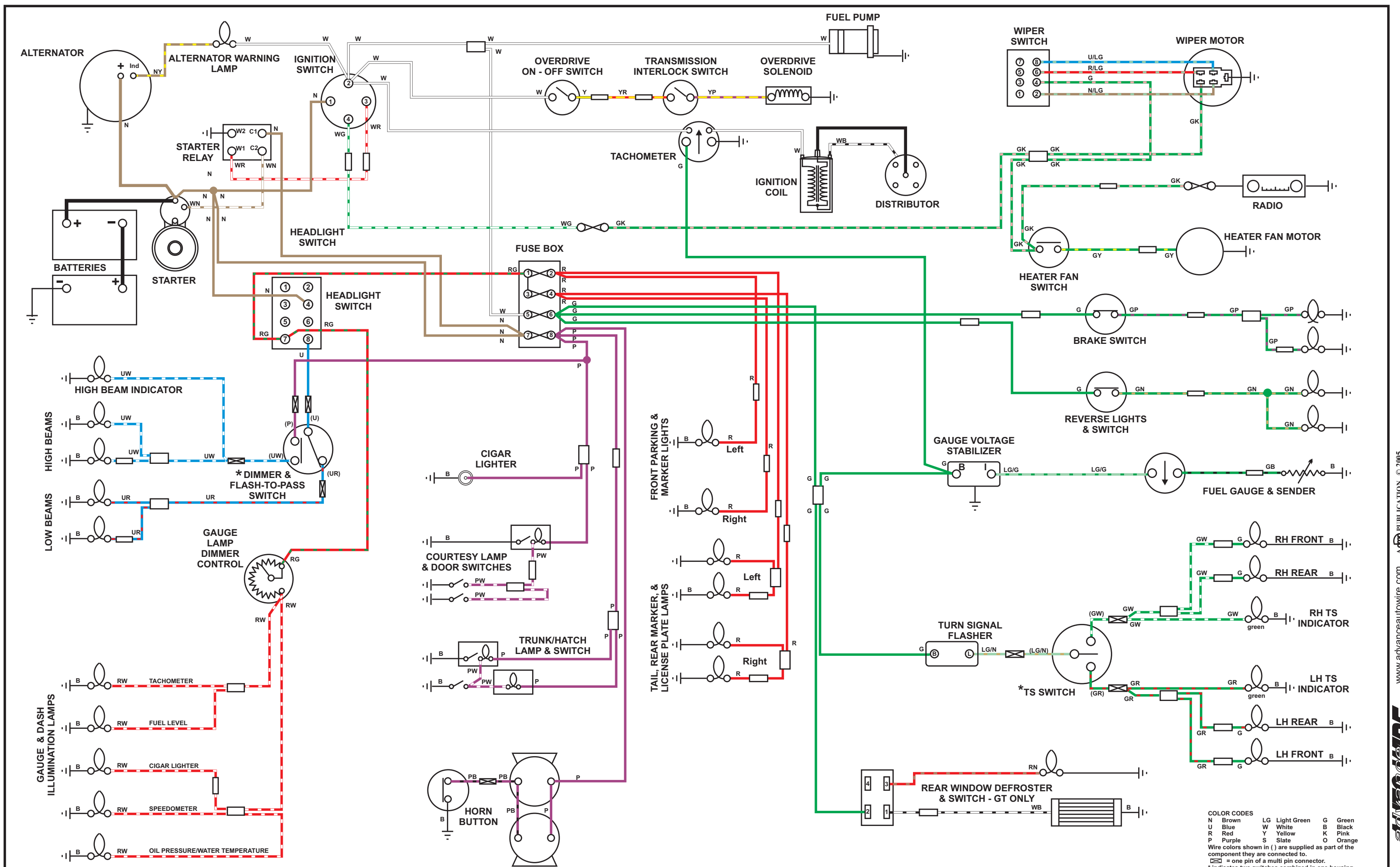


DIAGRAM 11 - 71/72 MGB FROM BENTLEY E3212AW

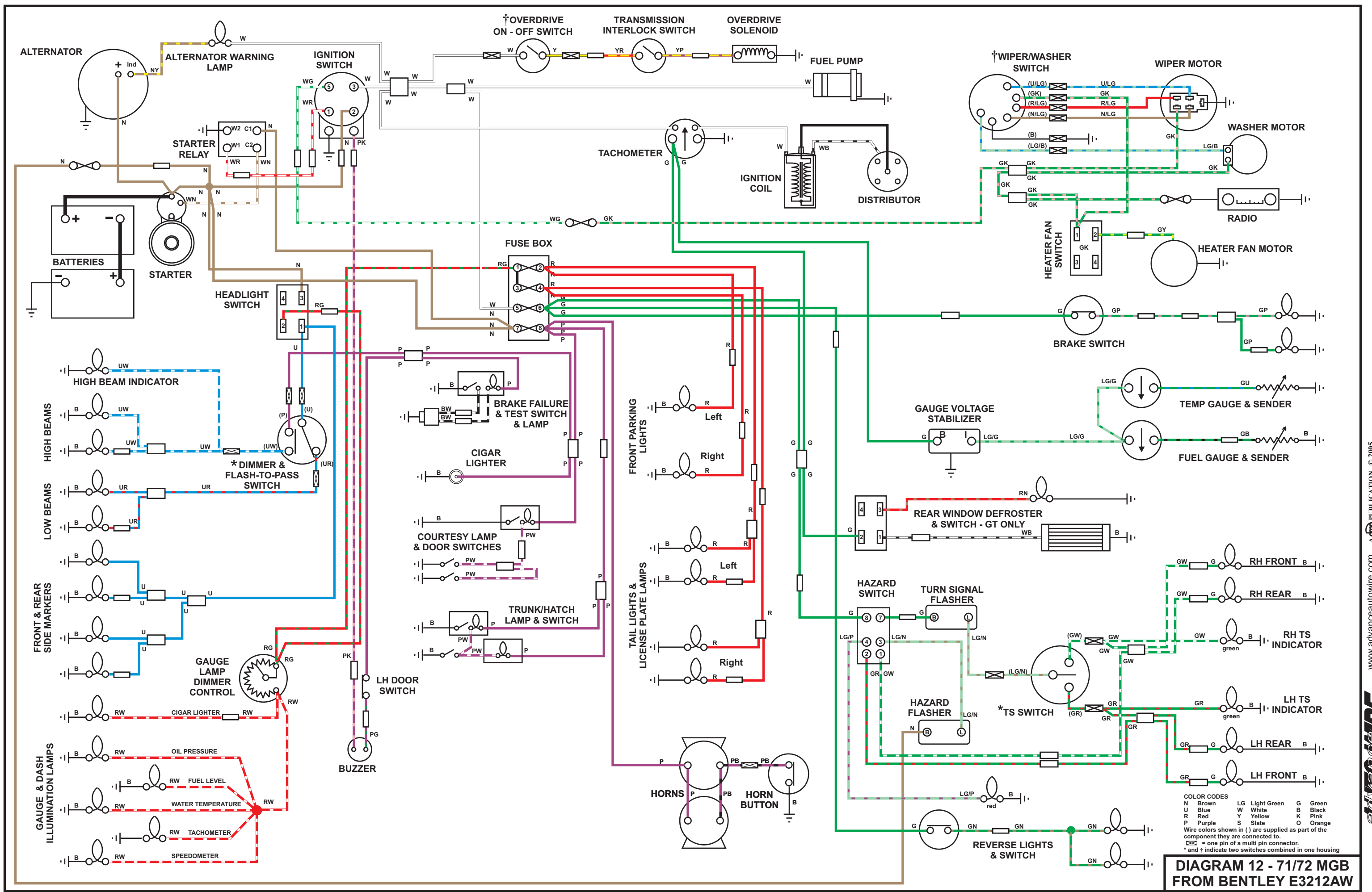
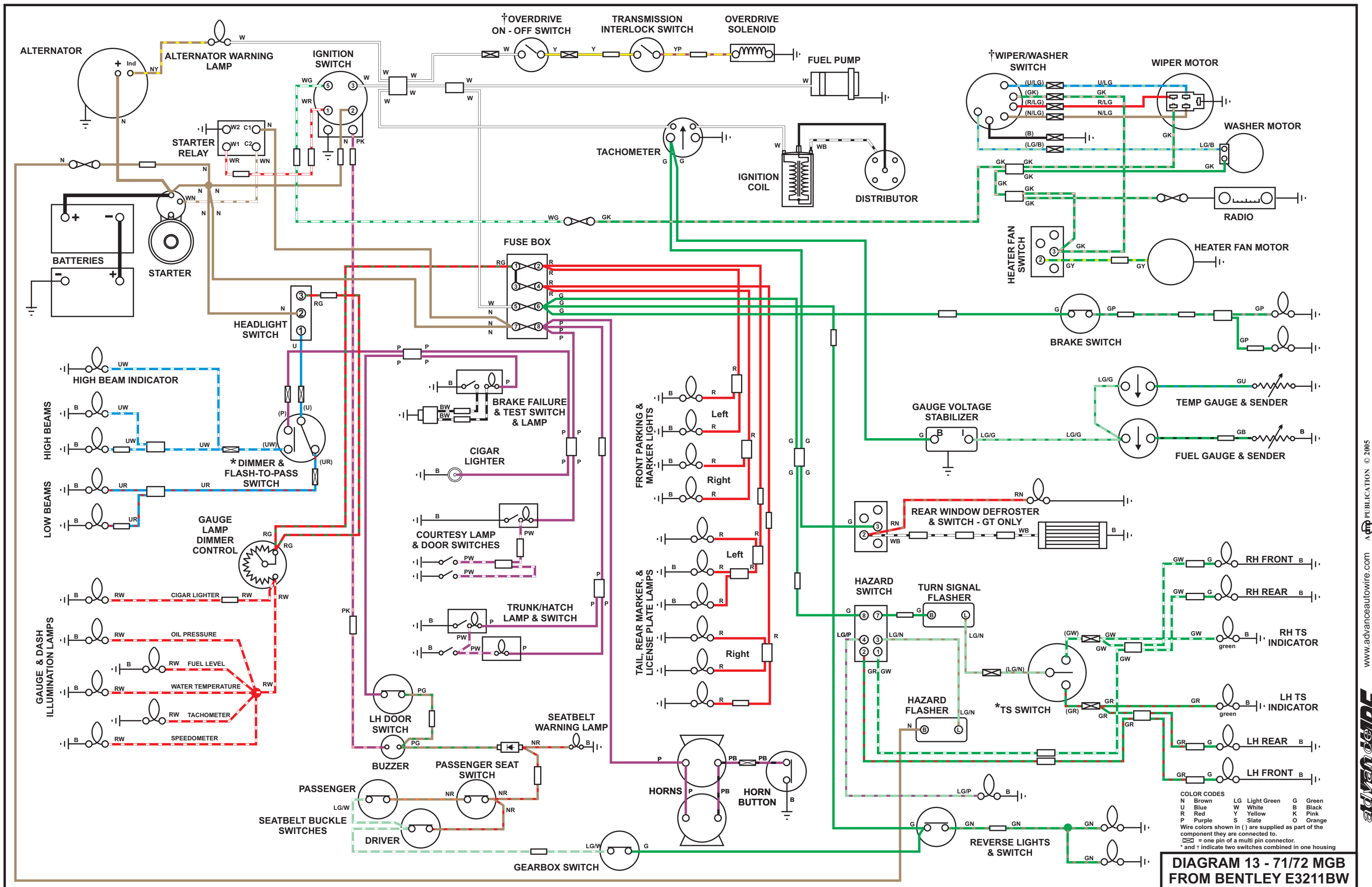


DIAGRAM 12 - 71/72 MGB FROM BENTLEY E3212AW



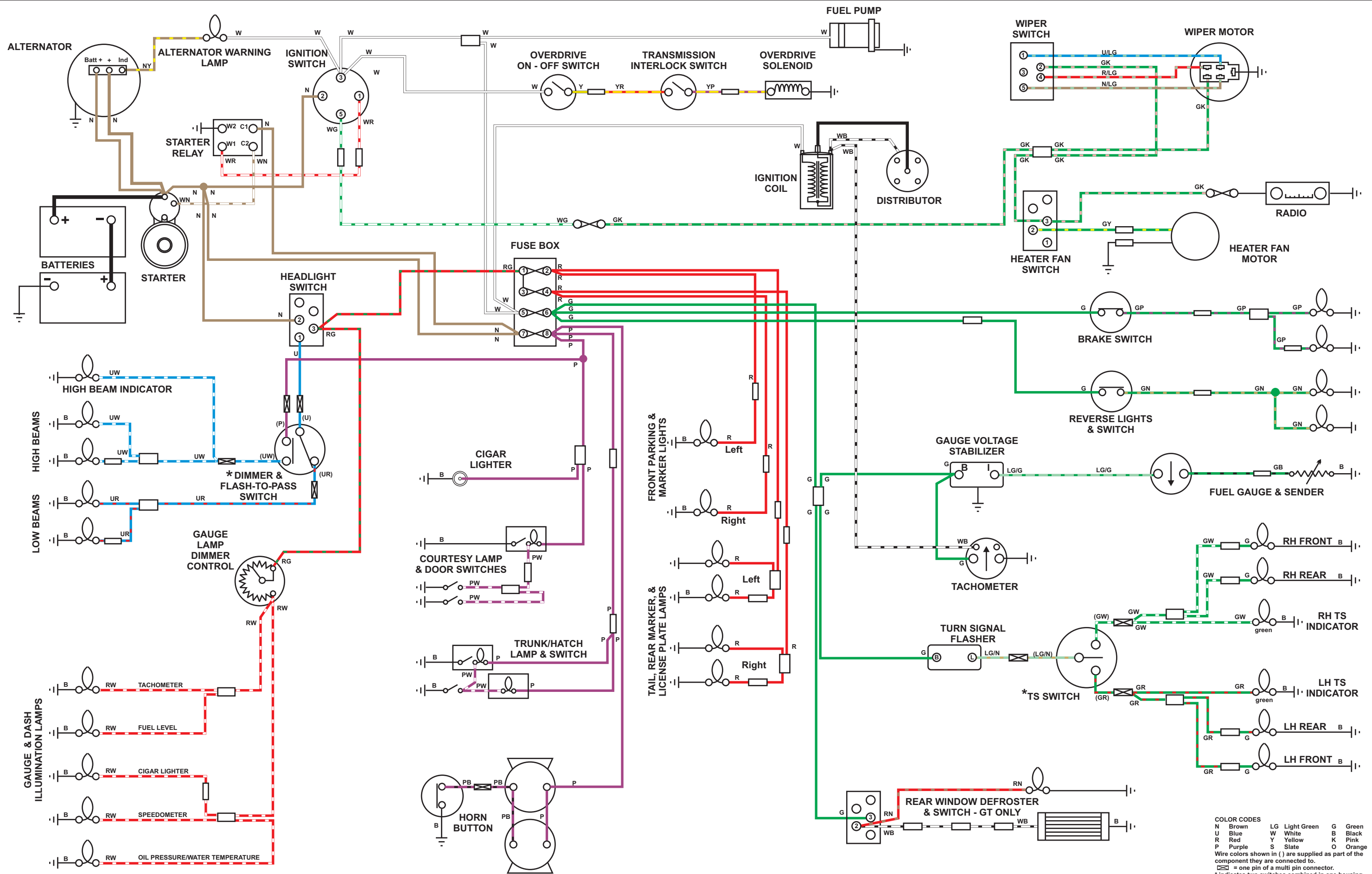


DIAGRAM 14 - 72/73 MGB FROM BENTLEY 3N064

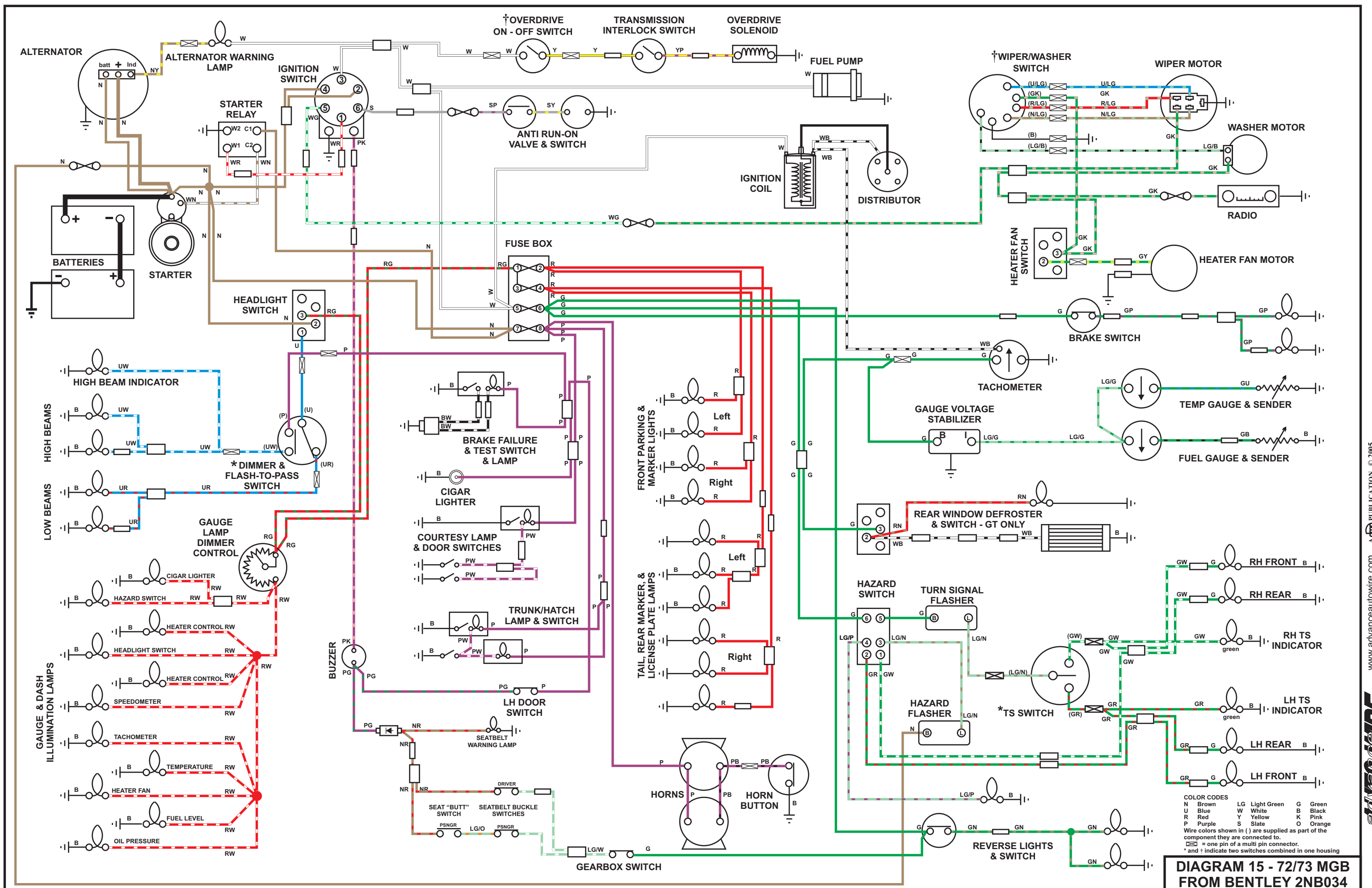
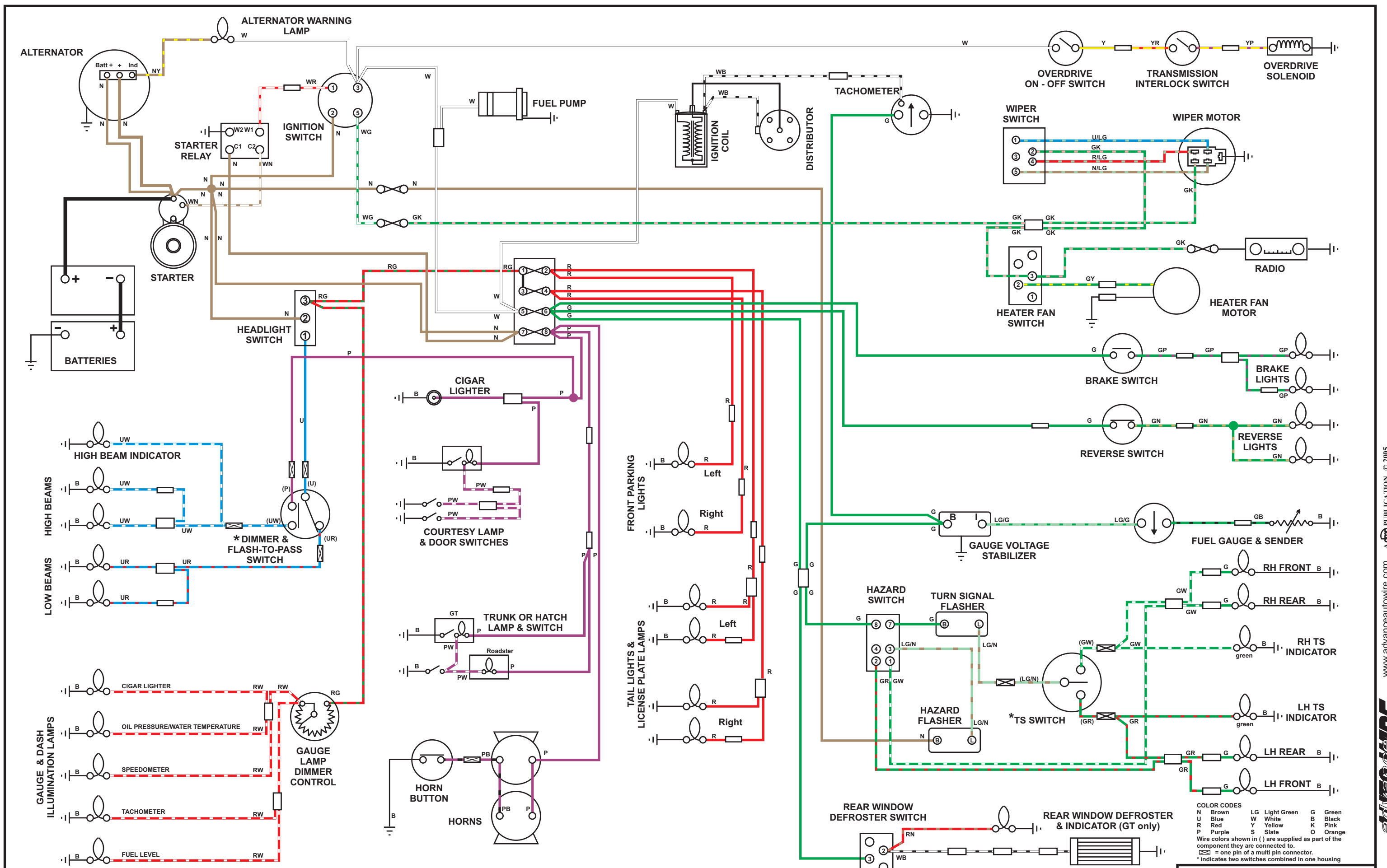


DIAGRAM 15 - 72/73 MGB FROM BENTLEY 2NB034



COLOR CODES

N	Brown	LG	Light Green	G	Green
U	Blue	W	White	B	Black
R	Red	Y	Yellow	K	Pink
P	Purple	S	Slate	O	Orange

Wire colors shown in () are supplied as part of the component they are connected to.
 ⊞ = one pin of a multi pin connector.
 * indicates two switches combined in one housing

DIAGRAM 16 - 73/74 MGB FROM BENTLEY 3NB056

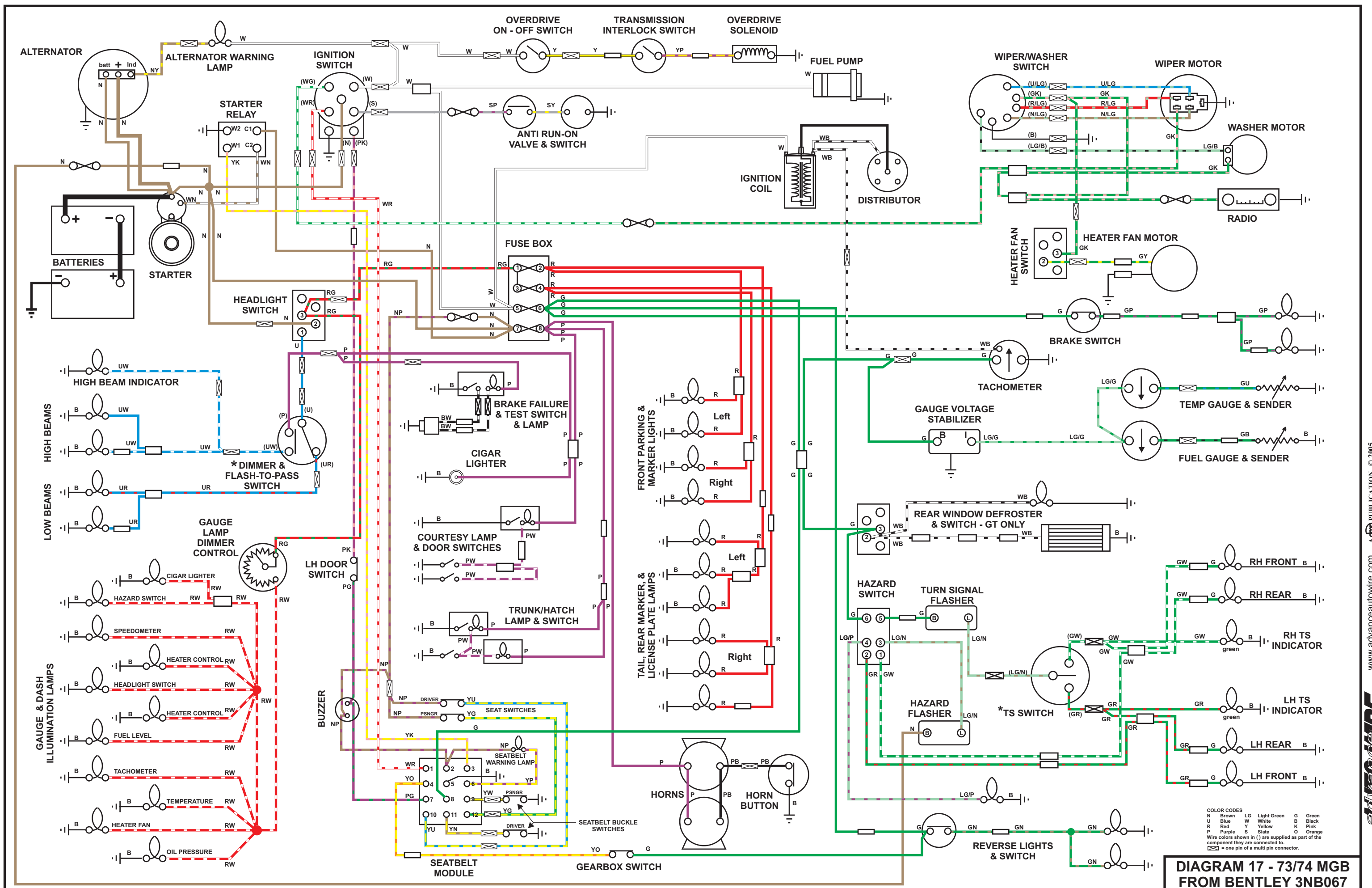


DIAGRAM 17 - 73/74 MGB FROM BENTLEY 3NB067

COLOR CODES
 N Brown LG Light Green G Green
 U Blue W White B Black
 R Red Y Yellow K Pink
 P Purple S Slate O Orange
 Wire colors shown in () are supplied as part of the component they are connected to.
 ⊞ = one pin of a multi pin connector.

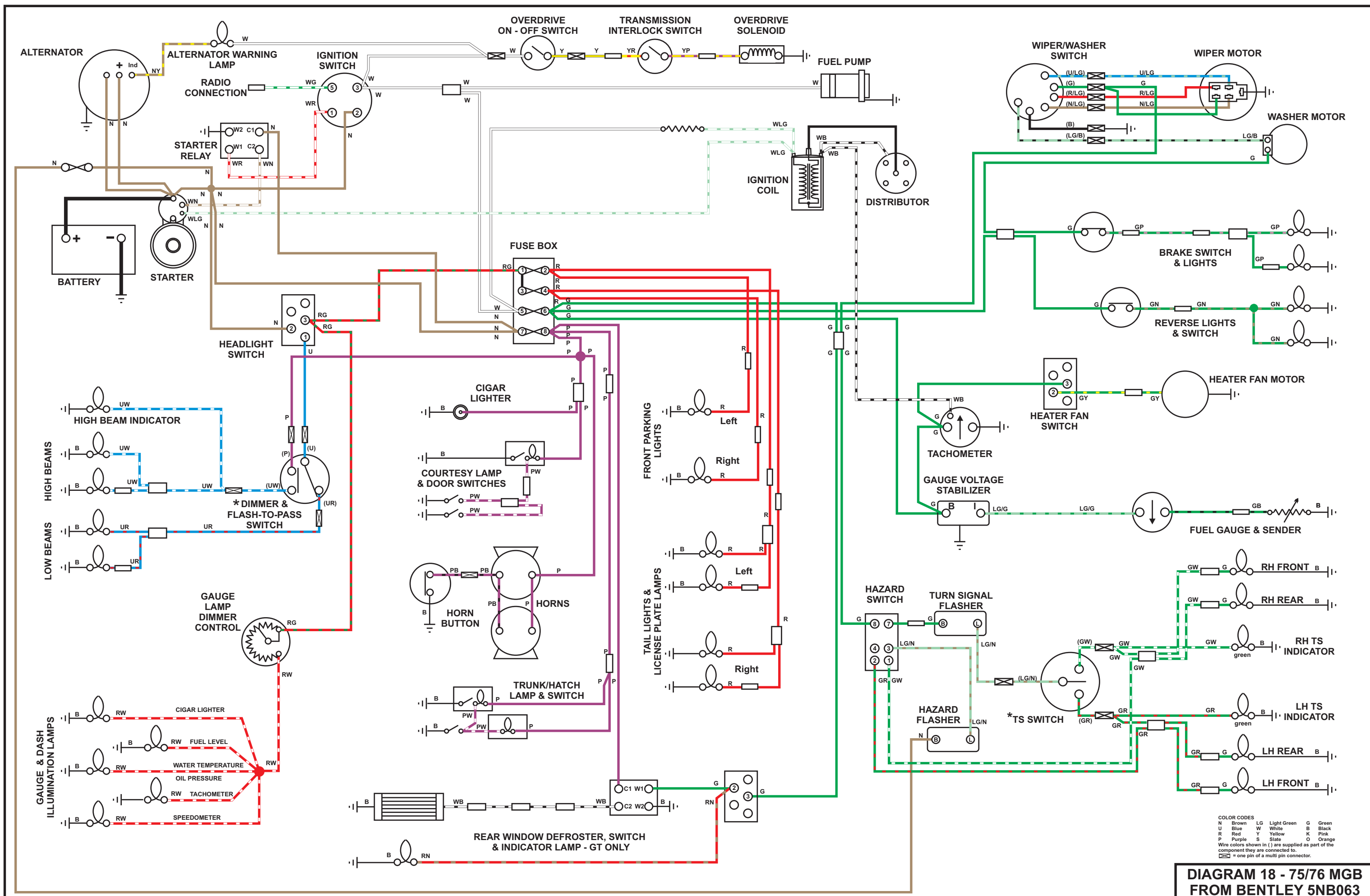
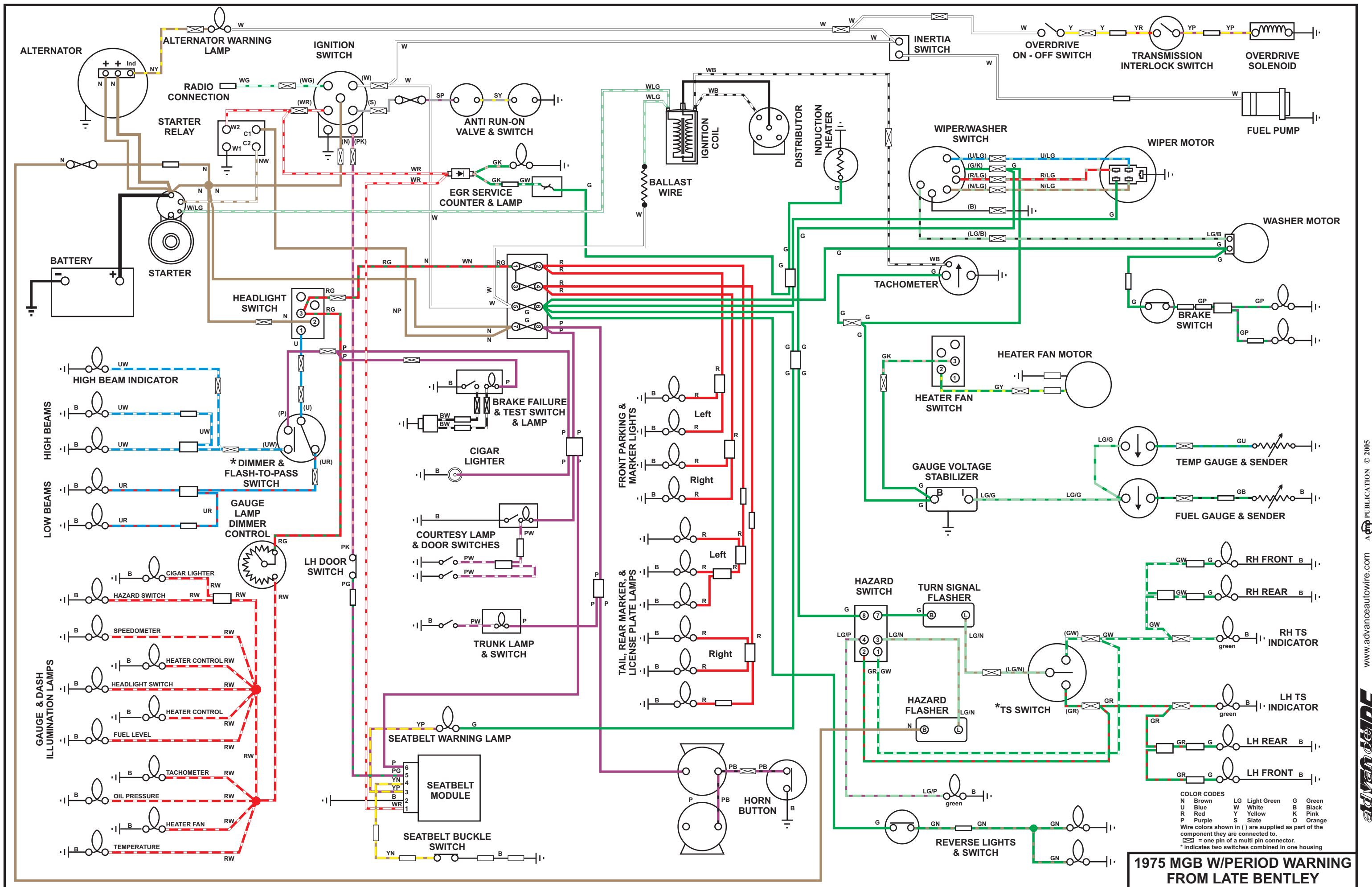


DIAGRAM 18 - 75/76 MGB FROM BENTLEY 5NB063

COLOR CODES
 N Brown LG Light Green G Green
 U Blue W White B Black
 R Red Y Yellow K Pink
 P Purple S Slate O Orange
 Wire colors shown in () are supplied as part of the component they are connected to.
 ☒ = one pin of a multi pin connector.



COLOR CODES

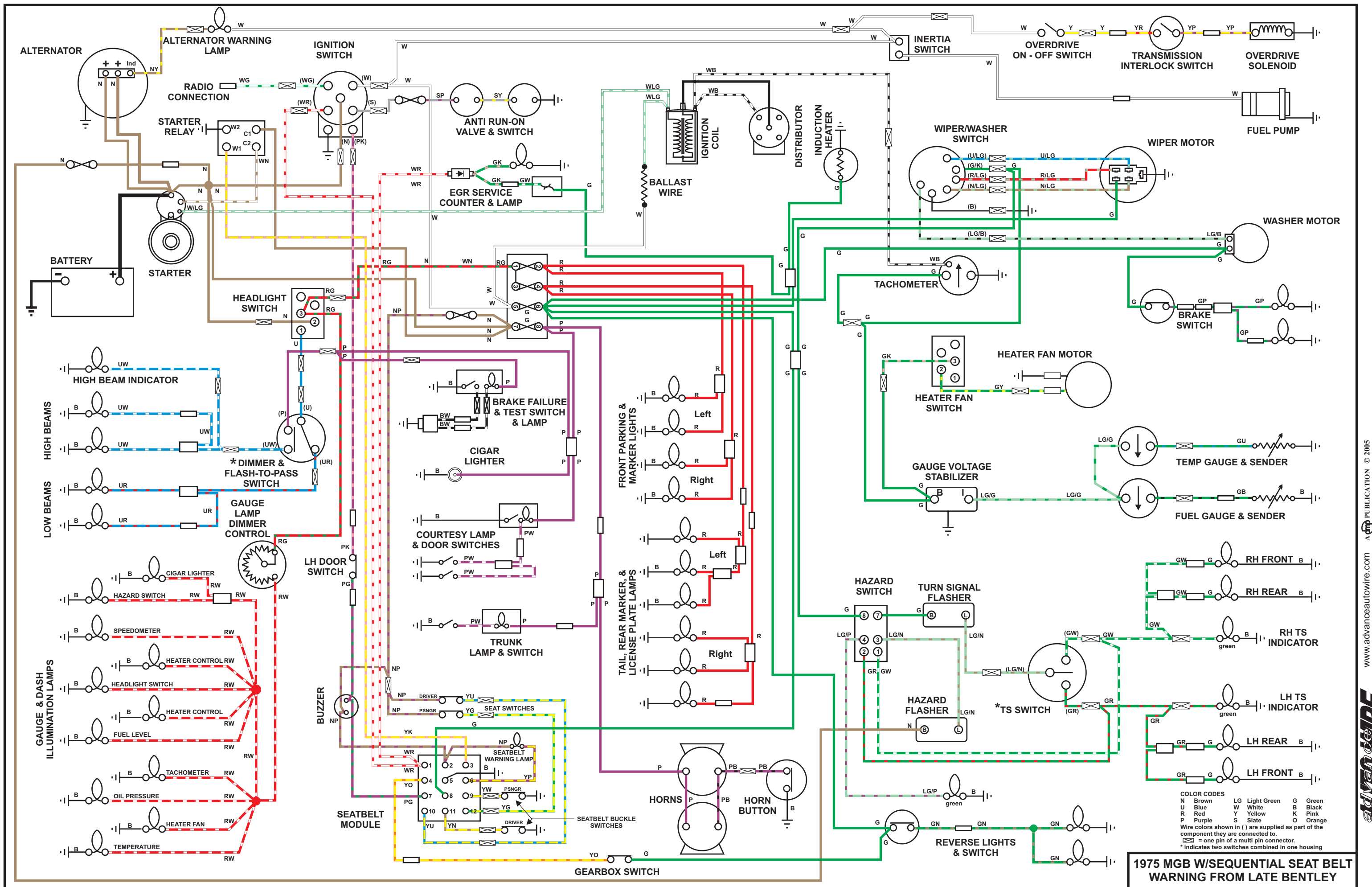
N	Brown	LG	Light Green	G	Green
U	Blue	W	White	B	Black
R	Red	Y	Yellow	K	Pink
P	Purple	S	Slate	O	Orange

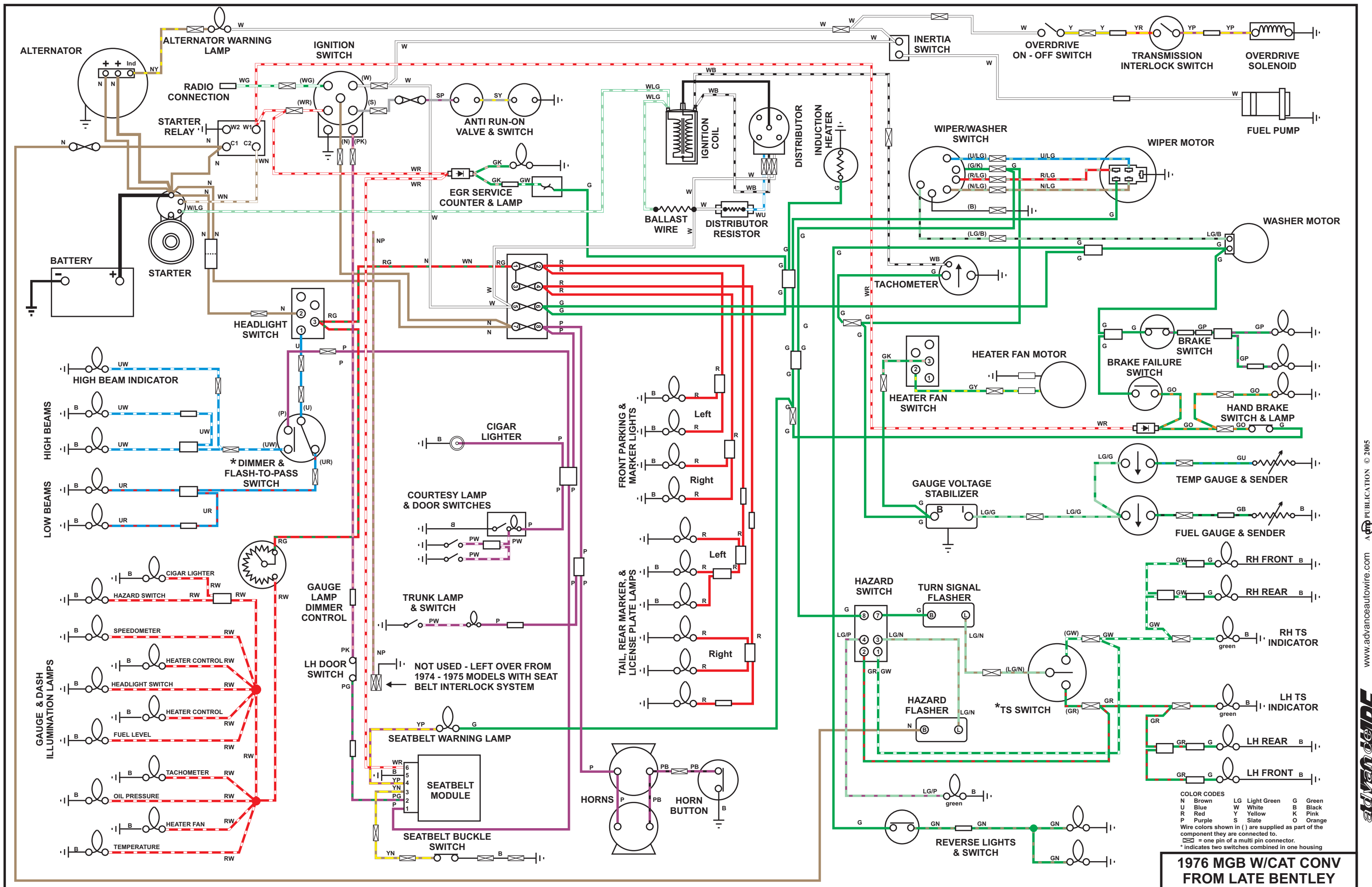
Wire colors shown in () are supplied as part of the component they are connected to.
 ☒ = one pin of a multi pin connector.
 * indicates two switches combined in one housing

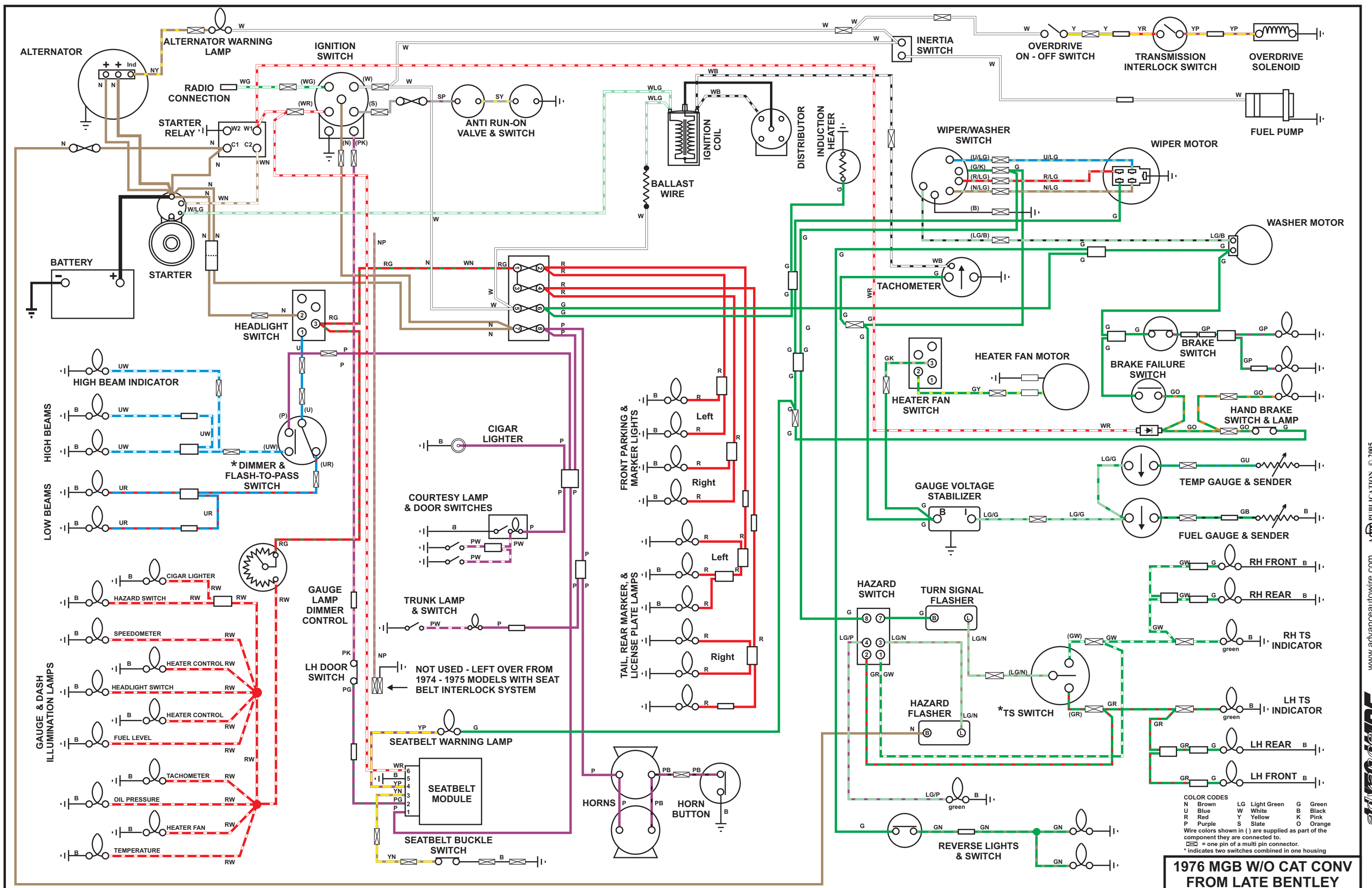
1975 MGB W/PERIOD WARNING FROM LATE BENTLEY

www.advanceautowire.com
 PUBLICATION © 2015
 May be reproduced for personal, non-commercial use only

ADVANCE
 AUTOWIRE







1976 MGB W/O CAT CONV FROM LATE BENTLEY

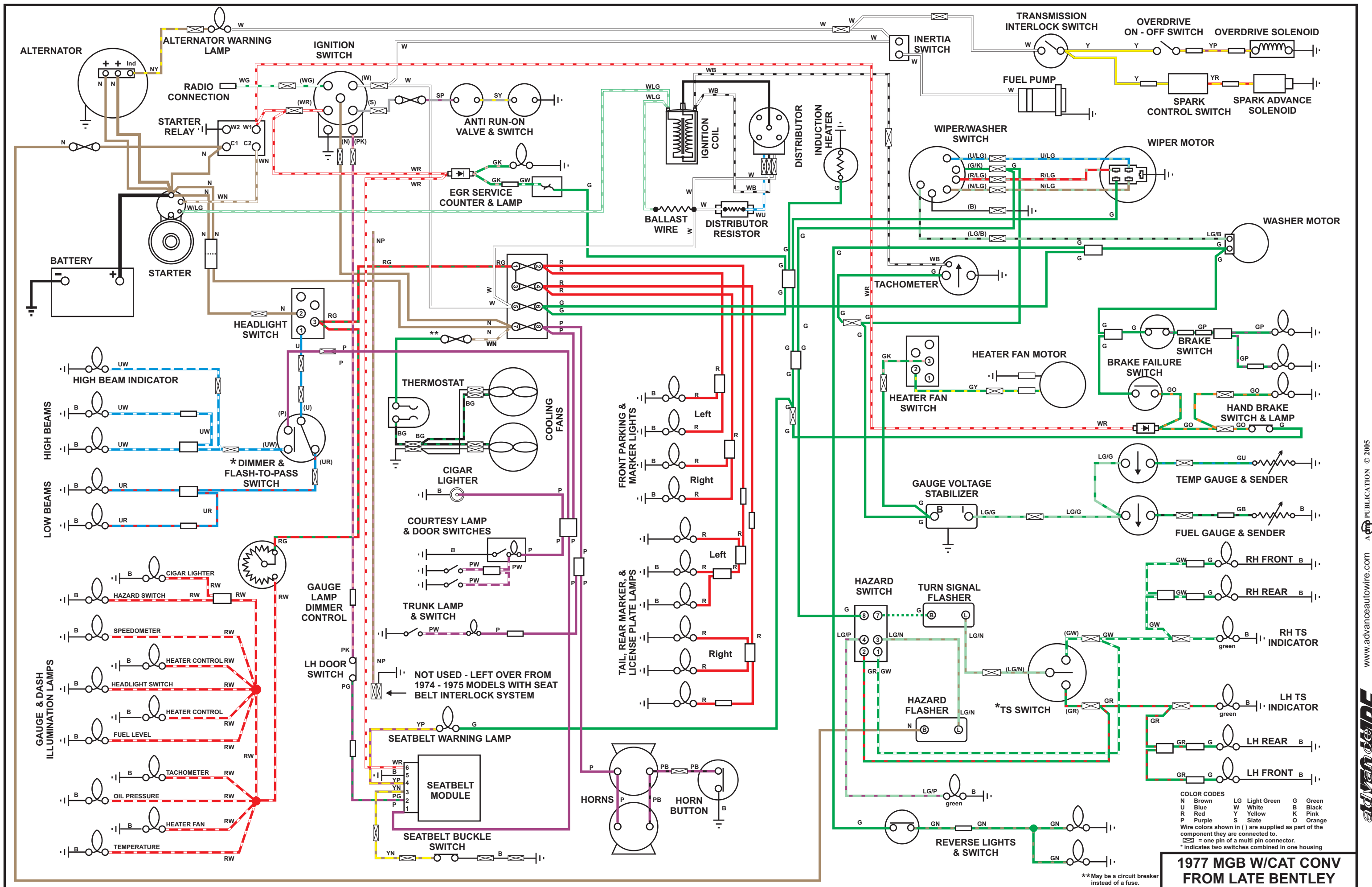
COLOR CODES

N	Brown	LG	Light Green	G	Green
U	Blue	W	White	B	Black
R	Red	Y	Yellow	K	Pink
P	Purple	S	State	O	Orange

Wire colors shown in () are supplied as part of the component they are connected to.
 ☒ = one pin of a multi pin connector.
 * indicates two switches combined in one housing

www.advanceautowire.com
 PUBLICATION © 2015
 May be reproduced for personal, non-commercial use only

ADVANCE
 AUTOWIRE



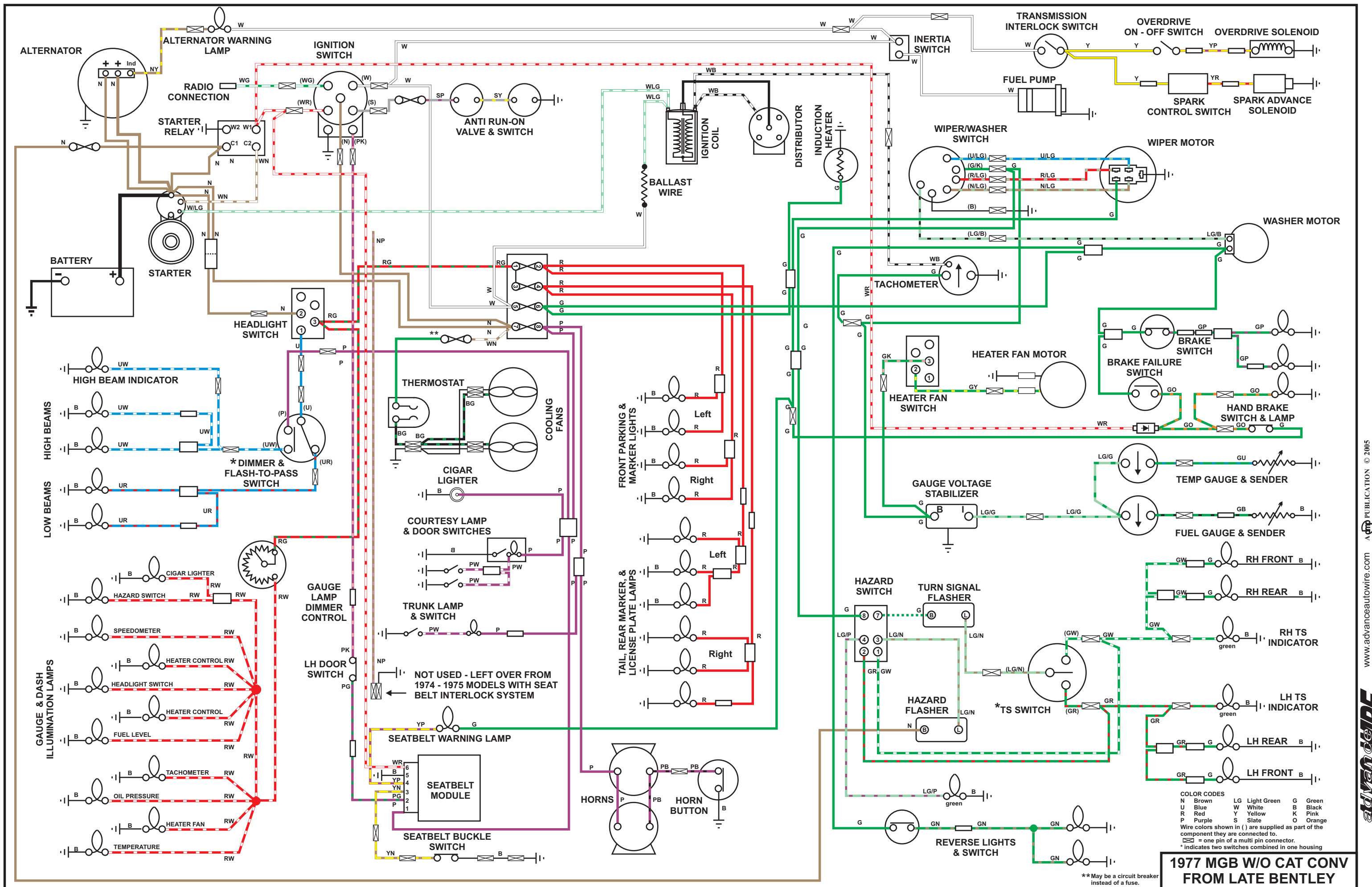
COLOR CODES

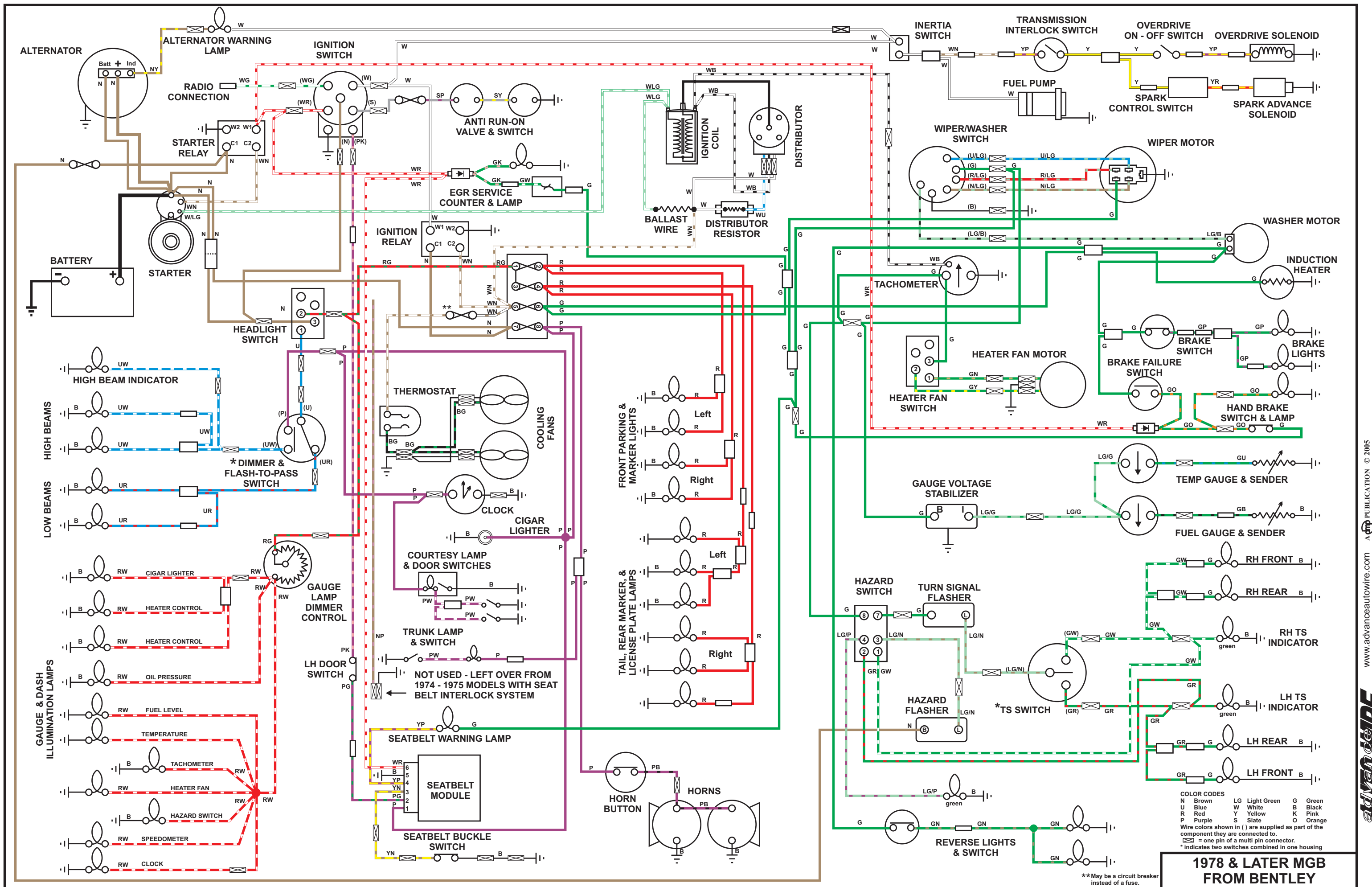
N	Brown	LG	Light Green	G	Green
U	Blue	W	White	B	Black
R	Red	Y	Yellow	K	Pink
P	Purple	S	State	O	Orange

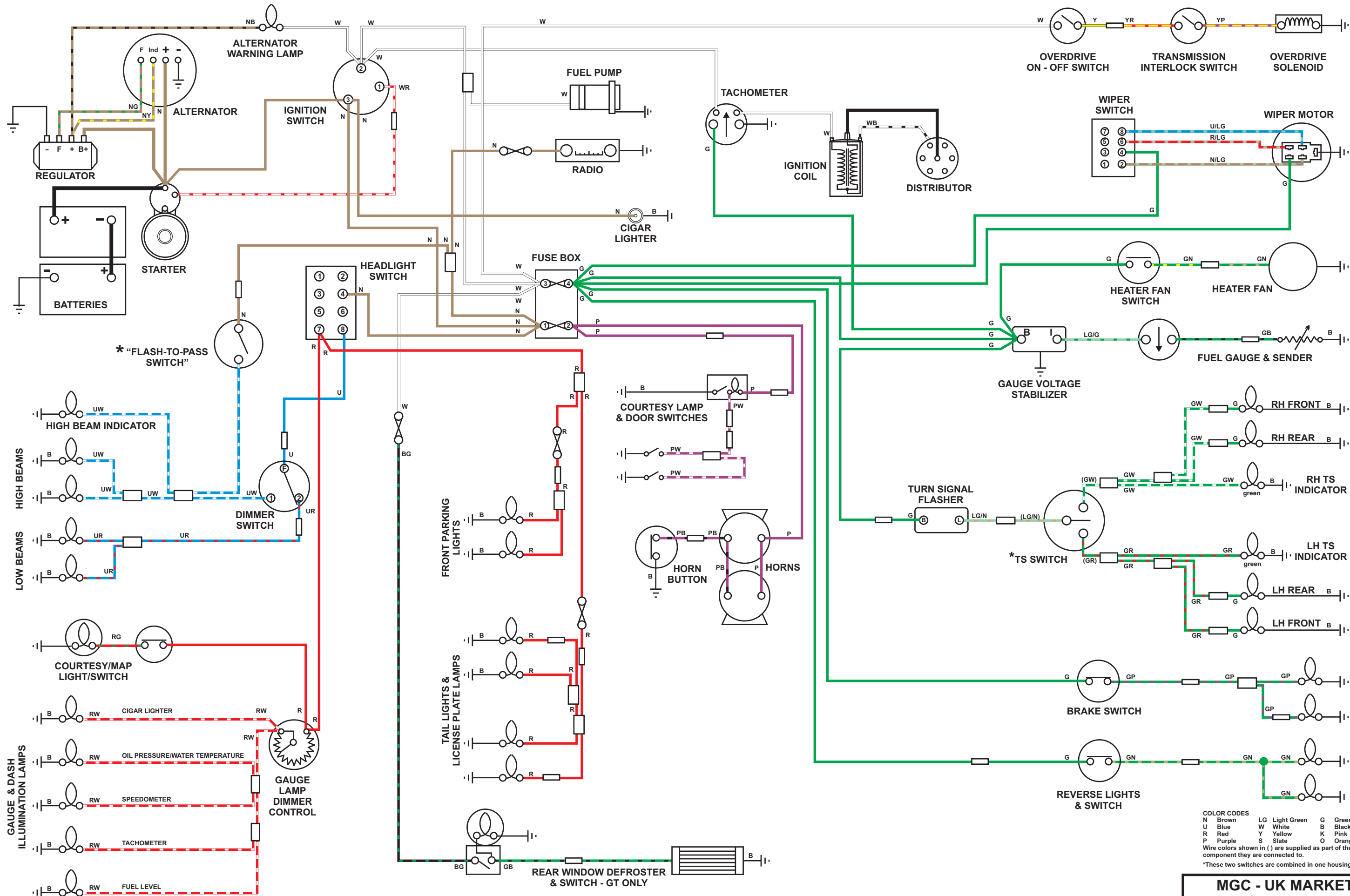
Wire colors shown in () are supplied as part of the component they are connected to.
 ☐ = one pin of a multi pin connector.
 * indicates two switches combined in one housing

1977 MGB W/CAT CONV FROM LATE BENTLEY

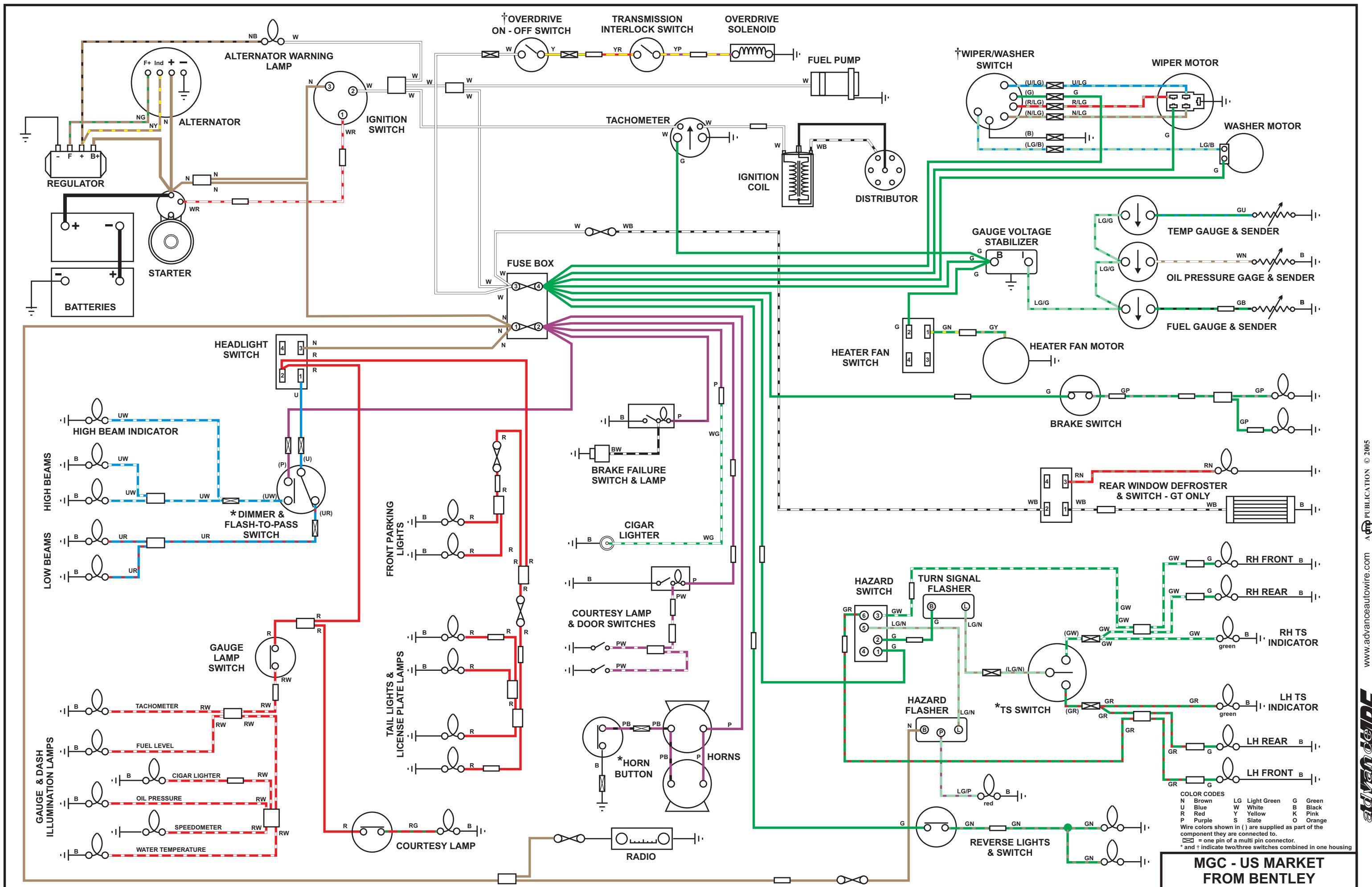
** May be a circuit breaker instead of a fuse.



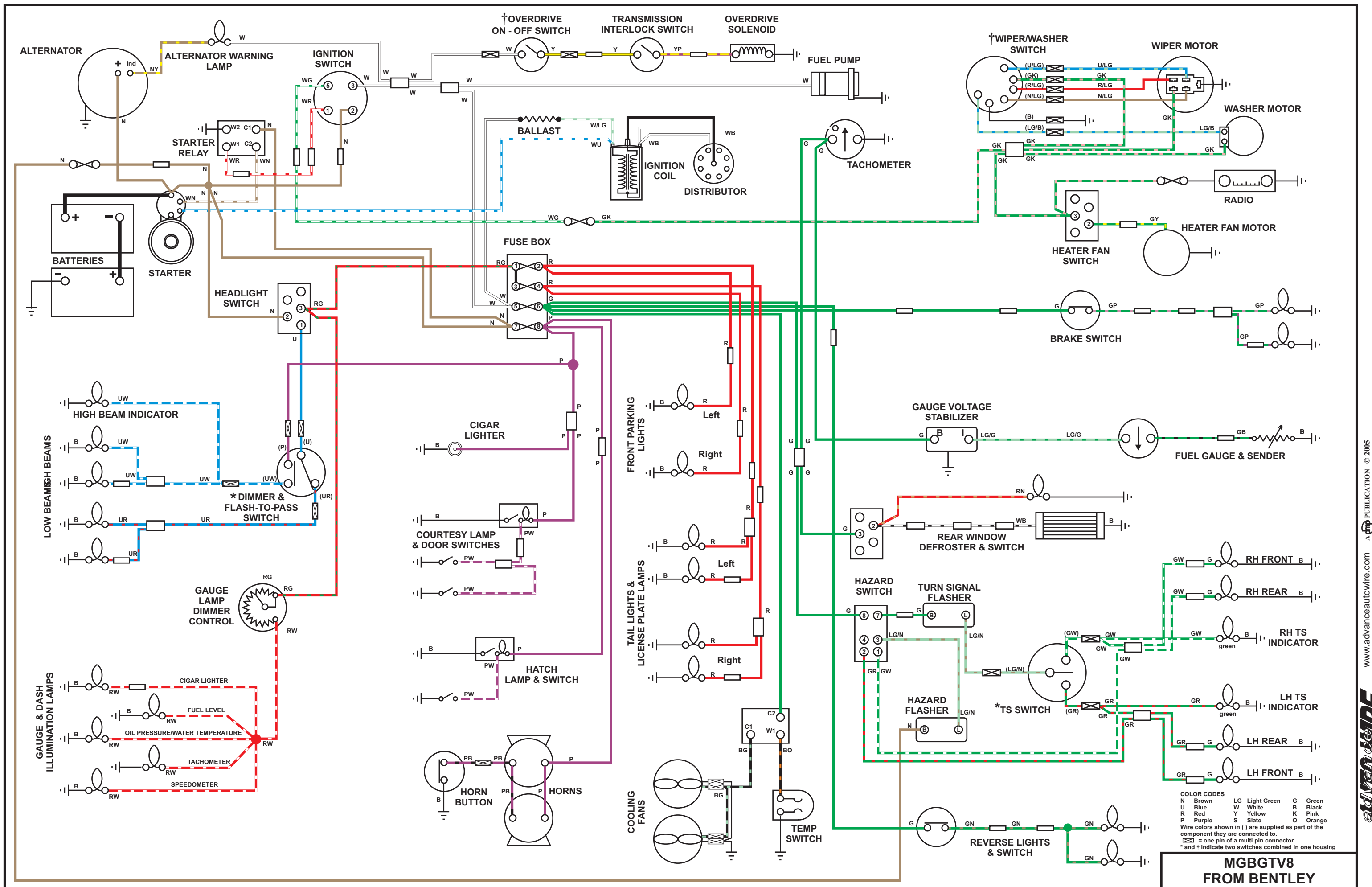




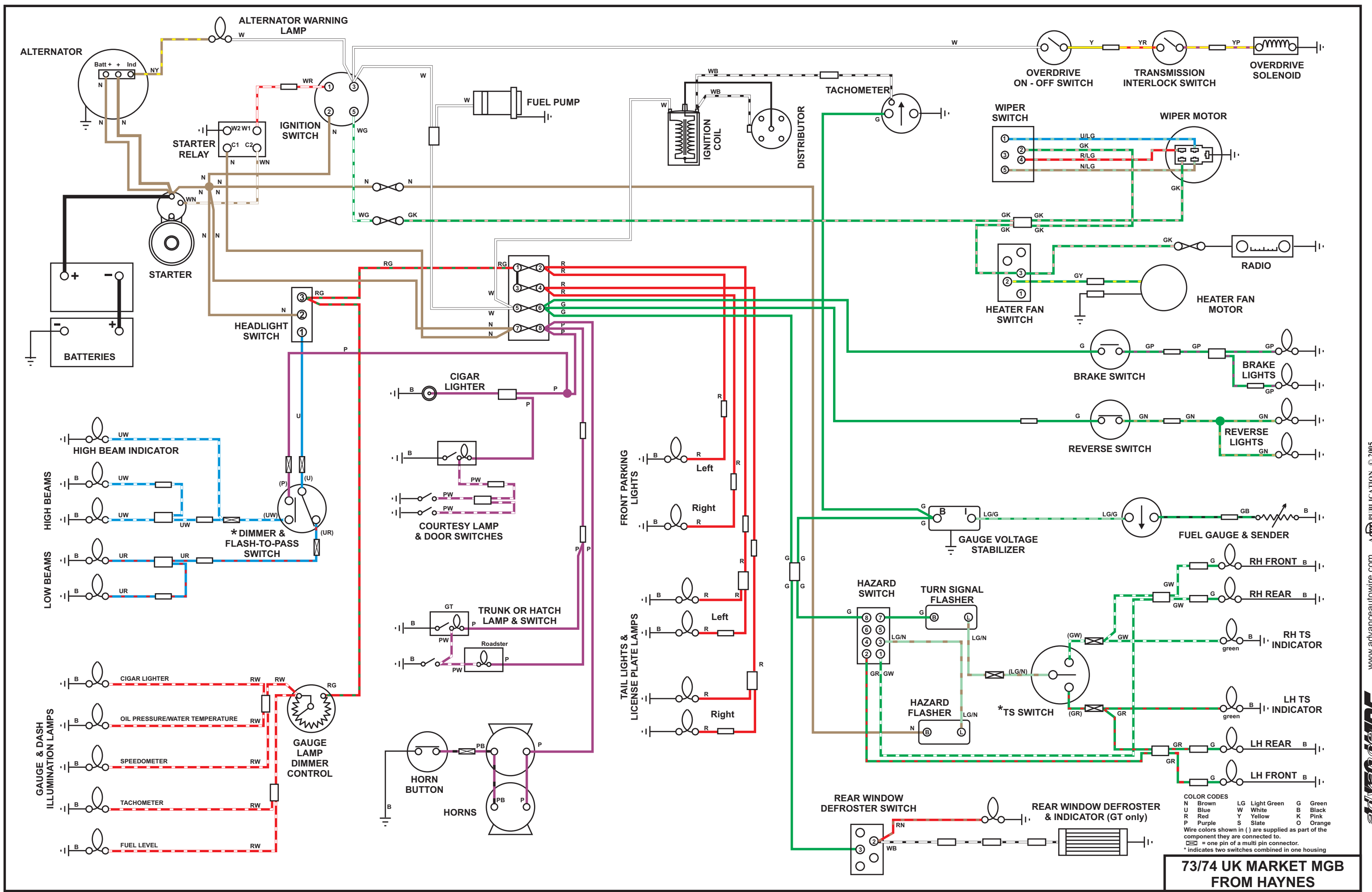
MGC - UK MARKET FROM BENTLEY



MGC - US MARKET FROM BENTLEY



MGBGTV8 FROM BENTLEY

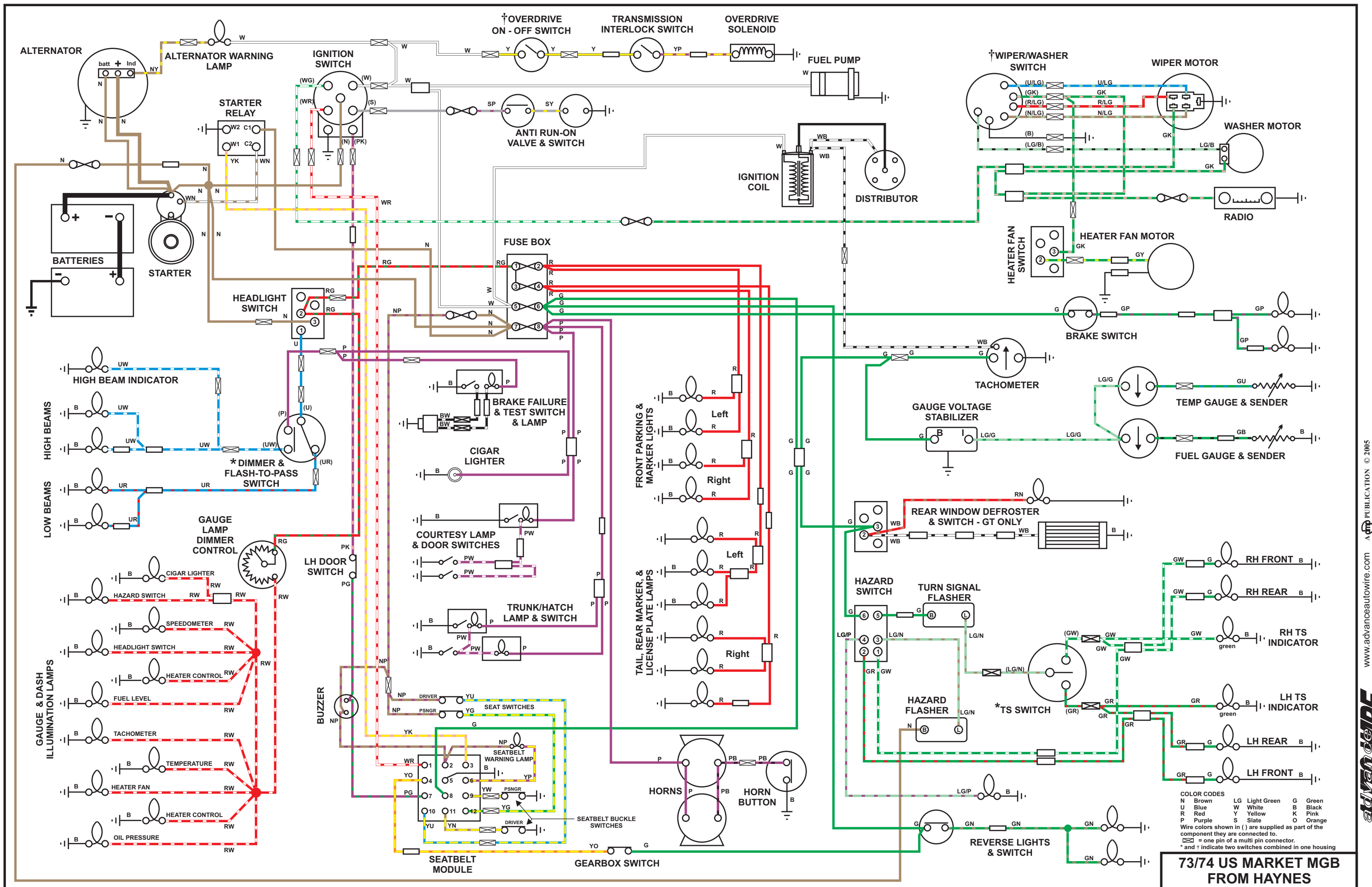


COLOR CODES

N	Brown	LG	Light Green	G	Green
U	Blue	W	White	B	Black
R	Red	Y	Yellow	K	Pink
P	Purple	S	State	O	Orange

Wire colors shown in () are supplied as part of the component they are connected to.
 ⊞ = one pin of a multi pin connector.
 * indicates two switches combined in one housing

73/74 UK MARKET MGB FROM HAYNES

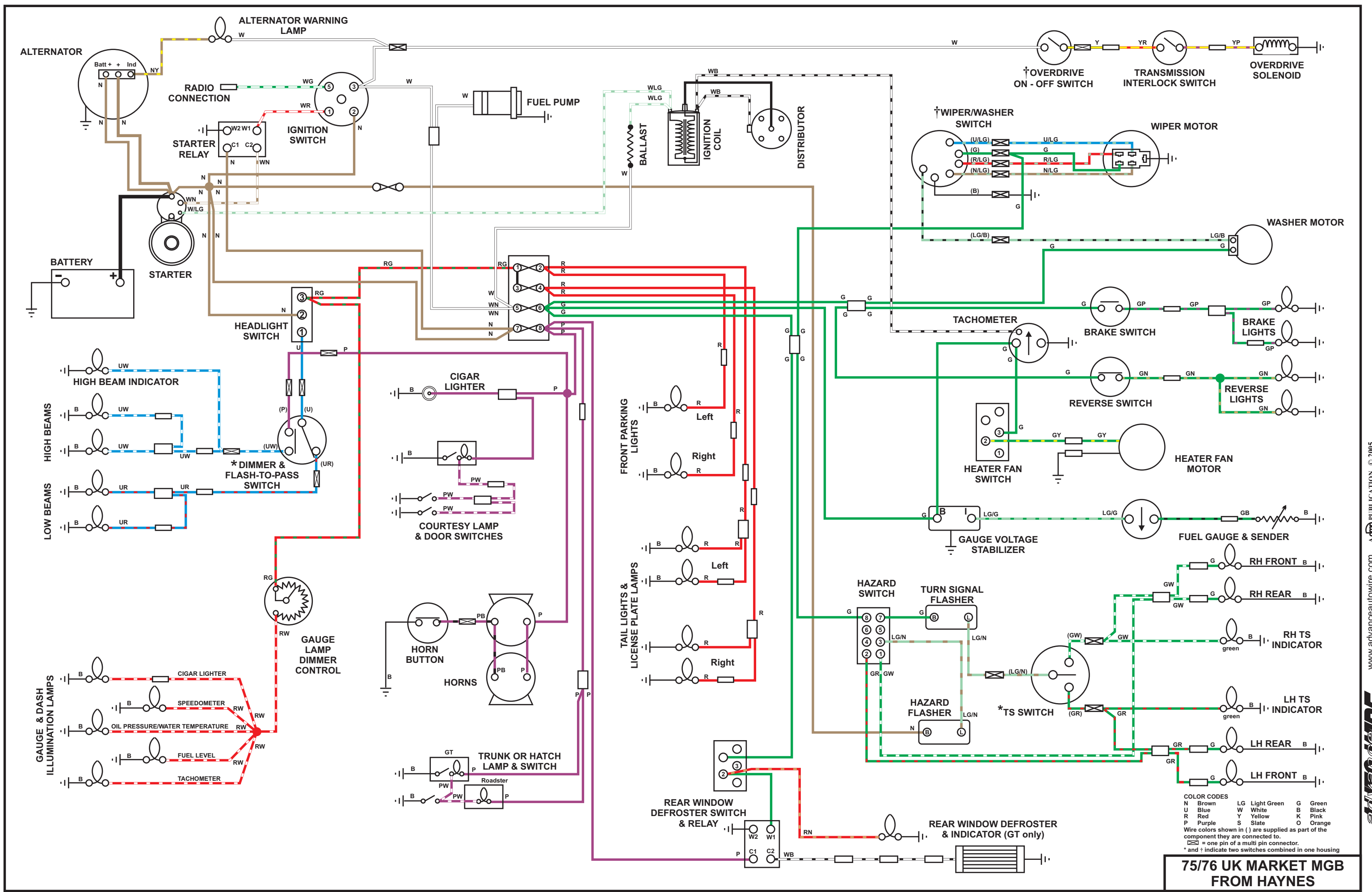


COLOR CODES

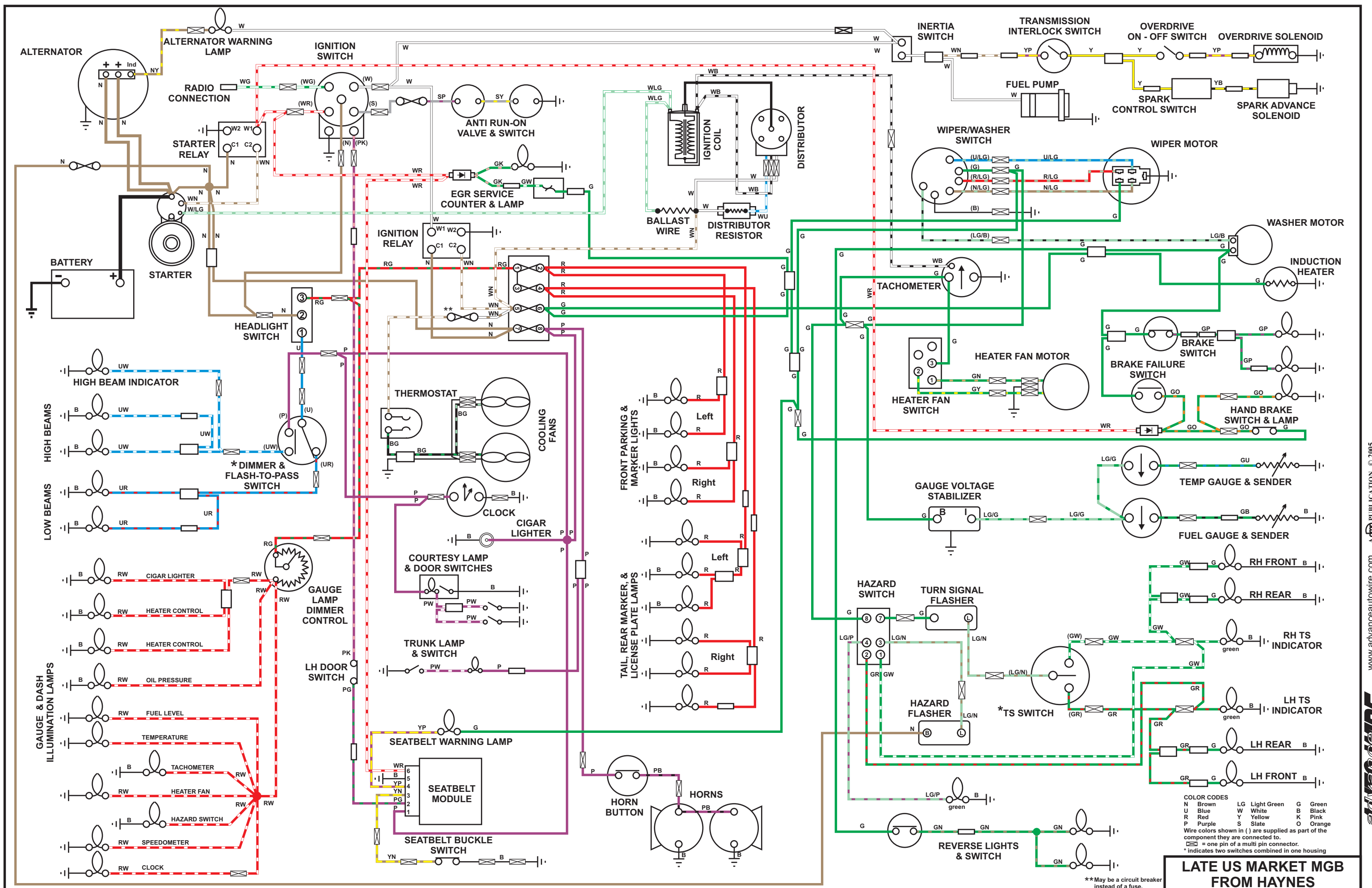
N	Brown	LG	Light Green	G	Green
U	Blue	W	White	B	Black
R	Red	Y	Yellow	K	Pink
P	Purple	S	State	O	Orange

Wire colors shown in () are supplied as part of the component they are connected to.
 ⊠ = one pin of a multi pin connector.
 † and ‡ indicate two switches combined in one housing

73/74 US MARKET MGB FROM HAYNES

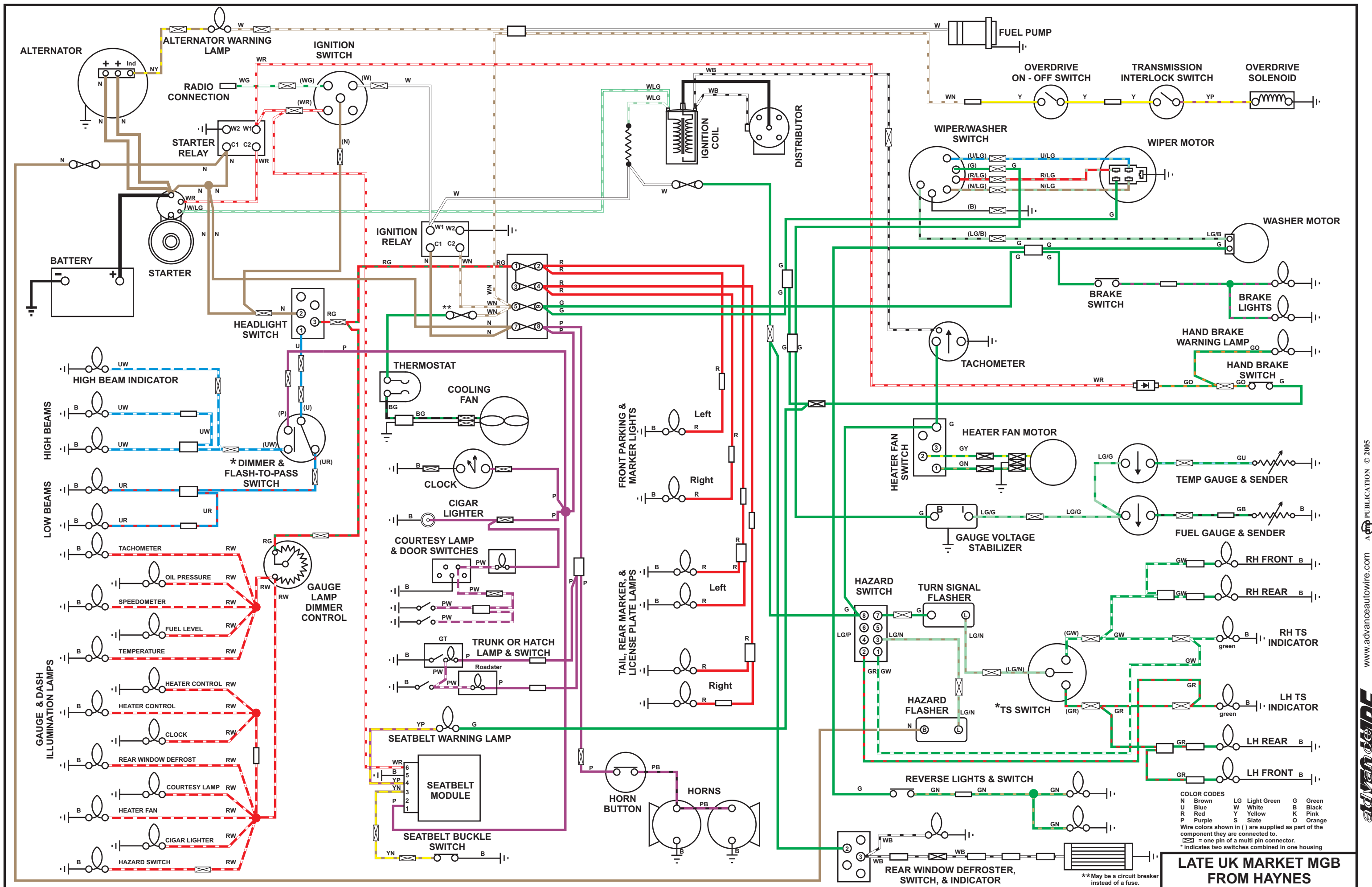


75/76 UK MARKET MGB FROM HAYNES



LATE US MARKET MGB FROM HAYNES

** May be a circuit breaker instead of a fuse.



COLOR CODES
 N Brown LG Light Green G Green
 U Blue W White B Black
 R Red Y Yellow K Pink
 P Purple S State O Orange
 Wire colors shown in () are supplied as part of the component they are connected to.
 ☐ = one pin of a multi pin connector.
 * indicates two switches combined in one housing

LATE UK MARKET MGB FROM HAYNES

www.advanceautowire.com
 ADVANCE PUBLICATION © 2015
 May be reproduced for personal, non-commercial use only

ADVANCE
 AUTOWIRE